

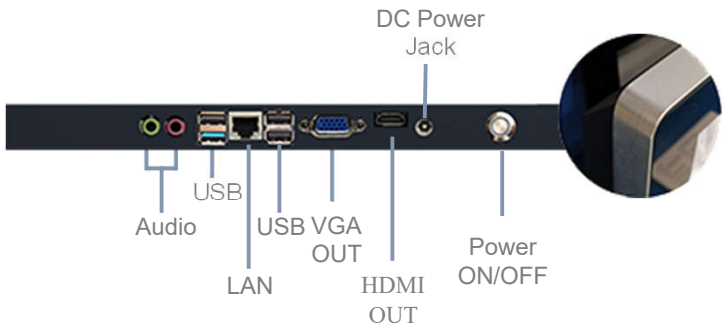


### GT CTL275 27" Touchcomputers (All In One)

GT 5 series commercial-grade touchcomputers (All-in-one) is available in 15.6", 21.5", 23.8", 27", and 32", elegant design with an accurate projected capacitive 10-point multitouch display. Its high-performance processor allows Windows OS to run fast and smoothly. It's an ideal touch solution for applications in industries such as retail, gaming, kiosk, self-service, finance, transit, conference, education, and healthcare.

#### Features & Benefits

- Window 7, 8, 10 with Intel Core i5 Processor
- Accurate PCAP Multi-touch Technology
- Full HD (1920 x 1080)
- 8GB RAM+128GB SSD
- VESA Mounting
- Edge-to-edge Design, Easy to Clean
- Anti-glare Optional
- WIFI Connector, Bluetooth optional
- USB, VGA, HDMI, LAN, Multiple interfaces



#### Applications

- Retail
- Corporation
- Medical
- Banking
- Self-service
- Gaming
- Kiosk
- Transportation

**SPECIFICATIONS**

Name	27" Touchcomputers (All In One)	
Model	CTL275	
<b>PC Parameters</b>		
Processor	Intel Core i5 5200U/5257U/5300U or other CPU with comparable performance in the same series	
Memory	8GB	
Storage	128GB SSD	
Supported system	Windows 7/8/10 Linux	
Touch Technology	PCAP	
Touch Point	10	
<b>LCD Panel Parameters</b>		
Aspect Ratio	16:9	
Active Display Area (V x H)	597.6 × 336.15 mm	
Native Resolution	1920 × 1080	
Response Time (Typ.)	12ms	
Display Colors	16.7M	
Luminance (Typ.)	300 cd/m <sup>2</sup>	
Contrast Ratio (Typ.)	3000:1 (Typ.)	
Viewing Angle (Typ.)	Horizontal (left/right) CR≥10	178° (89°/89°)
	Vertical (up/down) CR≥10	178° (89°/89°)
<b>I/O Port</b>		
LAN	1 × RJ45	
WLAN	WIFI (Optional), Bluetooth (Optional)	
USB Port	2 × USB2.0, 2 × USB3.0	
VGA/HDMI/DP (Display) Port	1 × VGA out, 1 × HDMI out	
Audio	1 × Line-out, 1 × Mic in	
COM Port	2 × RS232(Optional)	
Power In	DC12V Jet Ø 2.5	
<b>Overall Parameters</b>		
Case/Bezel Color	Black	
Mounting Options	VESA 75 x 75 100 x100mm	
Outline Dimension (W×H×D)	658.7×399.4×52mm	

Power Supply	External Adapter	Input Voltage : DC12V
Speaker(inside)	2×2W	
Power Consumption (type)	65W	
Operating Altitude	≤3000m	
Temperature	Operating: 0°C to 40°C, storage: -20°C to 60°C	
Humidity (non-condensing)	Operating: 20% to 80%, storage: 10% to 90%	
Agency Approvals	FCC, CE	
Warranty	2 years	

## Ordering Information

Model	Part Number	Description
CTL275-RCP-0B00-A0D-1.0	110303038R	27", I5-5200U/5257U/5300U, 8G+128G, 300nits, PCAP, Speaker

## Optional Accessories

Model	Part Number	Description
AC cable		UK/EU/US 1500mm
Power Adapter	130104010R	90W 12V/7.5A

Go to [www.generaltouch.com](http://www.generaltouch.com) for more products and information, or contact us.

General Touch Co., LTD reserves the right to change or update, without notice, any information contained herein; to change, without notice, the design, construction, materials, processing or specifications of any products; and to discontinue or limit production or distribution of any products.

Tel: 0086-28-85124120

Fax: 0086-28-85124115

E-mail: [info@generaltouch.com](mailto:info@generaltouch.com)

<http://www.generaltouch.com>