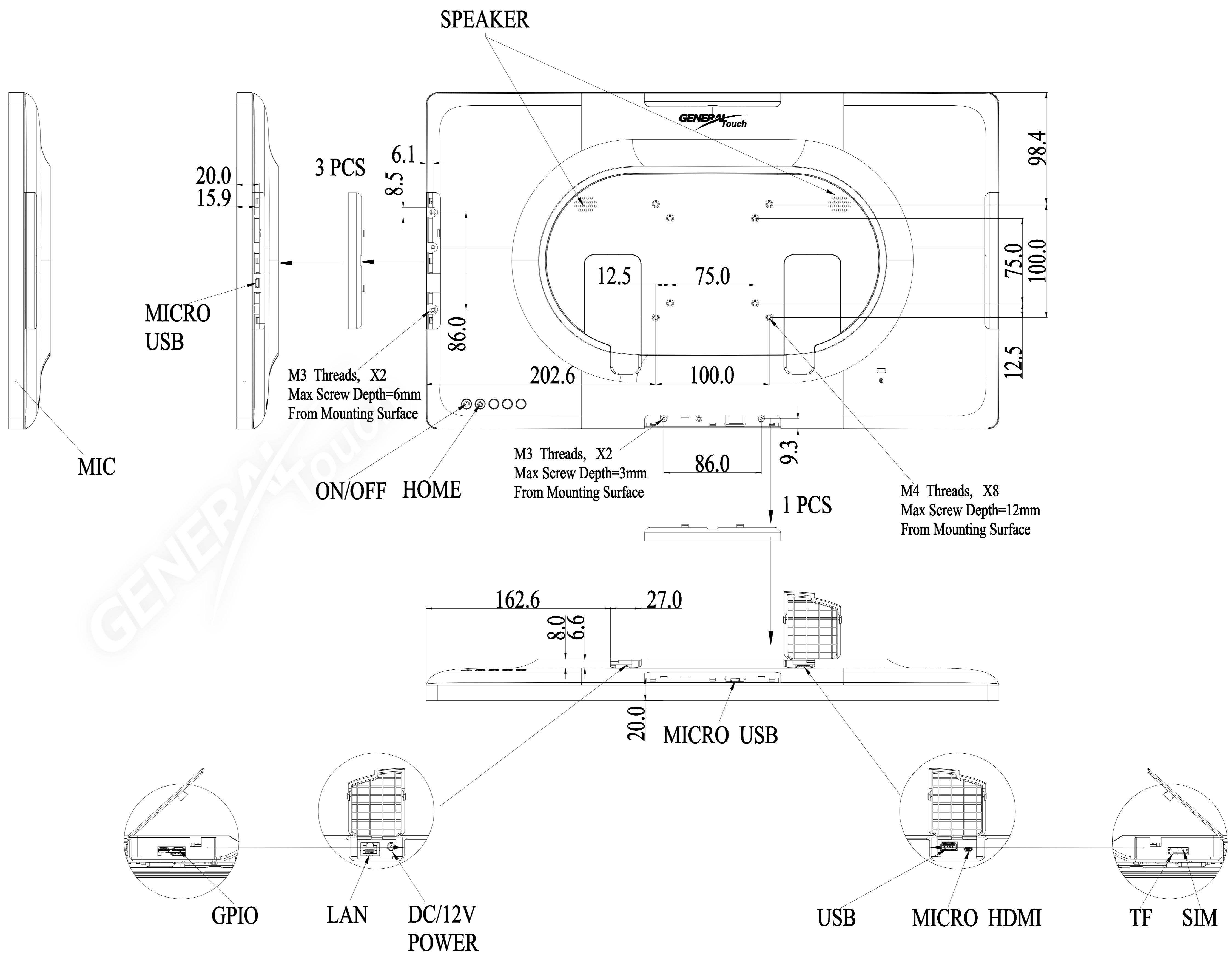
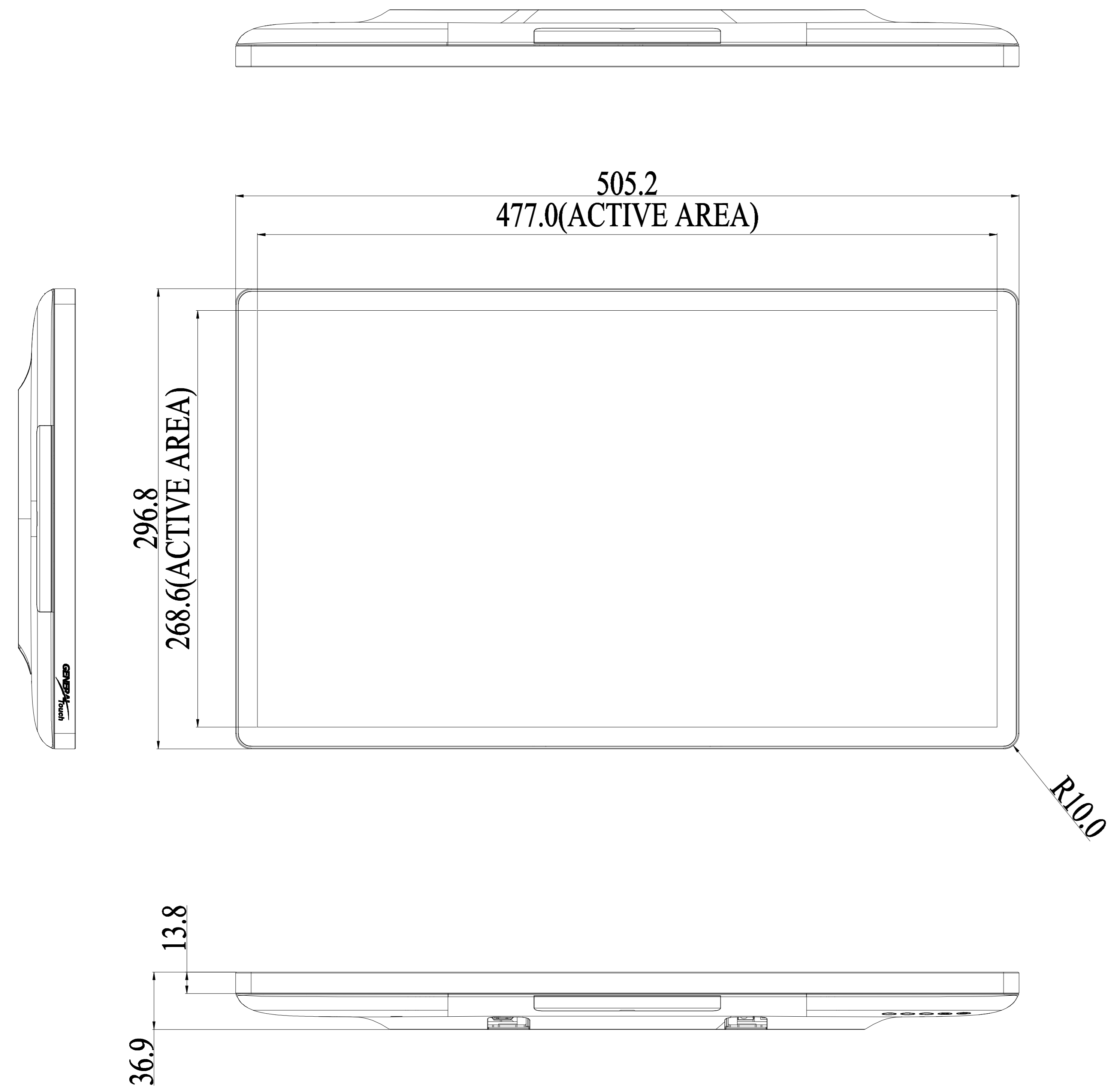


Title: ABL228-RC2-2B00-A04-1.0

| Mark | Revised Contents | Signature |
|------|------------------|-----------|
| △ | | |

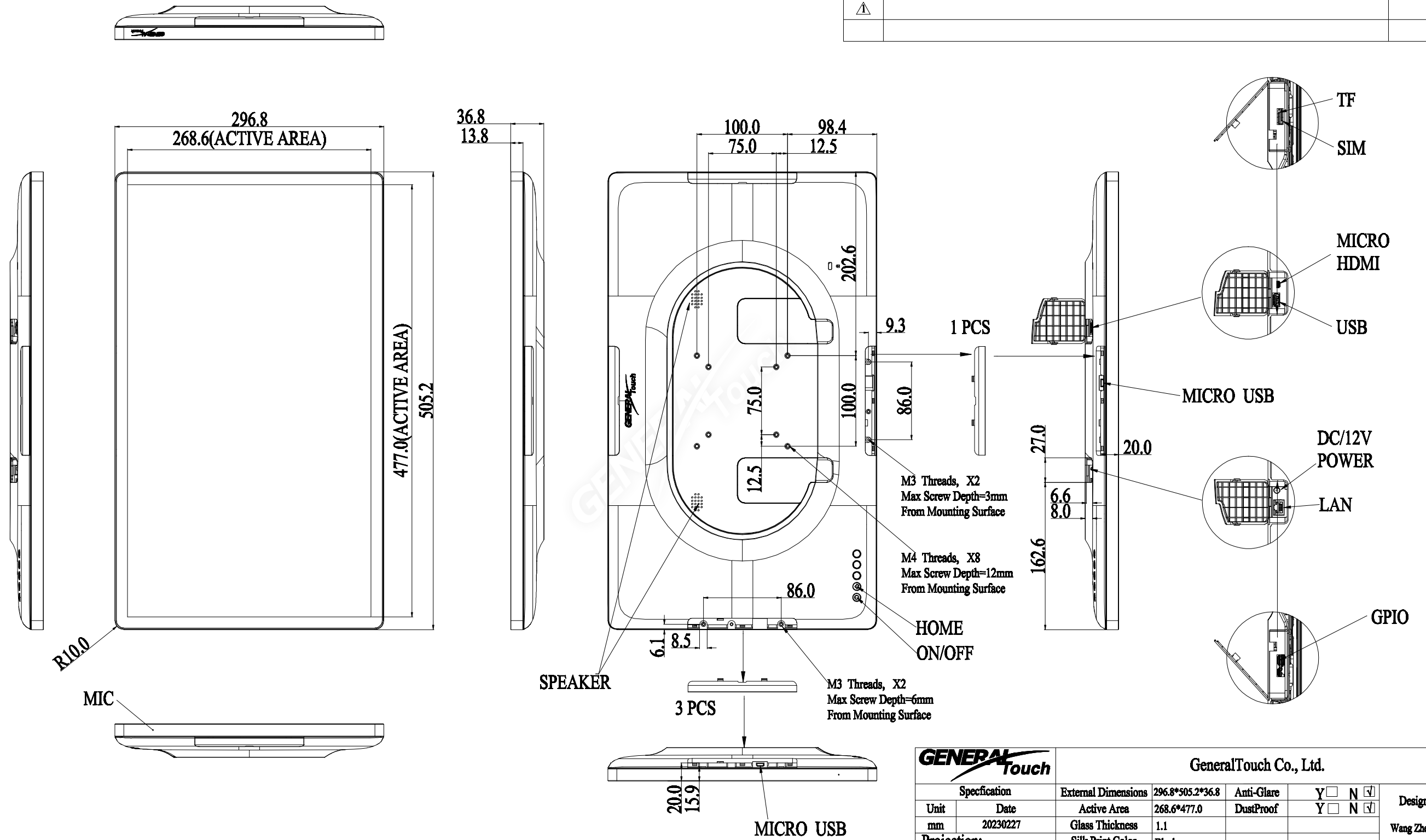


ALL DIMENSIONS ARE IN MILLIMETERS

| GENERAL Touch | | GeneralTouch Co., Ltd. | | | |
|-------------------|---------------------|------------------------|--|--|----------------------------|
| Specification | External Dimensions | 296.8*505.2*36.8 | Anti-Glare | Y <input type="checkbox"/> N <input checked="" type="checkbox"/> | Designer: Wang Zhenghua |
| Unit | Date | Active Area | DustProof | Y <input type="checkbox"/> N <input checked="" type="checkbox"/> | |
| mm | 20201214 | Glass Thickness | | | Checked By: Duan Wenbin |
| Projection: | | Silk Print Color | Black | | |
| Sheet 1 of 1 | | Mounting | VESA <input checked="" type="checkbox"/> | Bracket <input type="checkbox"/> | Approved By: Zhou Bolin |
| VER: 0.1 | Scale: 1:1 | Notes | | | |
| Tolerance: ±1.0mm | | Touch Technology | P-CAP <input checked="" type="checkbox"/> SAW <input type="checkbox"/> | Resistive <input type="checkbox"/> | |
| | | | Non-Touch <input type="checkbox"/> | | |

Title: ABL228-RC2-2B00-A04-1.2

| Mark | Revised Contents | Signature |
|------|------------------|-----------|
| △ | | |

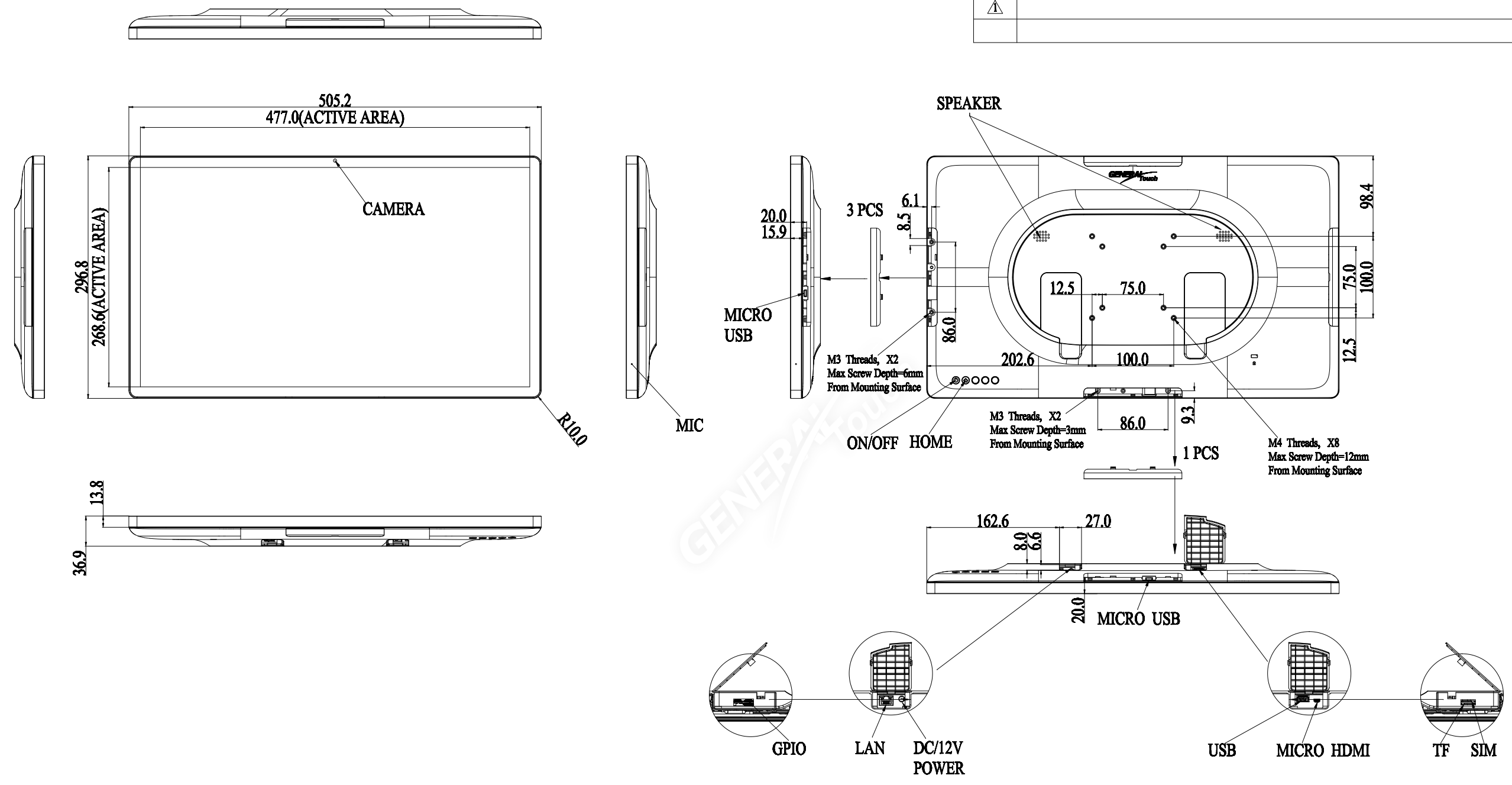


ALL DIMENSIONS ARE IN MILLIMETERS

| GENERAL Touch | | GeneralTouch Co., Ltd. | | | |
|-------------------|---------------------|------------------------|--|--|----------------------------|
| Specification | External Dimensions | 296.8*505.2*36.8 | Anti-Glare | Y <input type="checkbox"/> N <input checked="" type="checkbox"/> | Designer: Wang Zhenghua |
| Unit | Date | Active Area | DustProof | Y <input type="checkbox"/> N <input checked="" type="checkbox"/> | |
| mm | 20230227 | Glass Thickness | | | Checked By: Duan Wenbin |
| Projection: | | Silk Print Color | Black | | |
| Sheet 1 of 1 | | Mounting | VESA <input checked="" type="checkbox"/> Bracket <input type="checkbox"/> | | Approved By: Zhou Bolin |
| VER: 0.1 | Scale: 1:1 | Notes | | | |
| Tolerance: ±1.0mm | | Touch Technology | P-CAP <input checked="" type="checkbox"/> SAW <input type="checkbox"/> IR/PIT <input type="checkbox"/> Resistive <input type="checkbox"/> Non-Touch <input type="checkbox"/> | | |

Title: ABL228-RC2-2E00-A04-1.5

| Mark | Revised Contents | Signature |
|------|------------------|-----------|
| △ | | |



ALL DIMENSIONS ARE IN MILLIMETERS

| | | | | | |
|----------------------|---------------------|------------------------|--|--|----------------------------|
| GENERAL Touch | | GeneralTouch Co., Ltd. | | | |
| Specification | External Dimensions | 296.8*505.2*36.8 | Anti-Glare | Y <input type="checkbox"/> N <input checked="" type="checkbox"/> | Designer: Wang Zhenghua |
| Unit | Date | Active Area | DustProof | Y <input type="checkbox"/> N <input checked="" type="checkbox"/> | |
| mm | 20231012 | Glass Thickness | | | Checked By: Duan Wenbin |
| Projection: | | Silk Print Color | Black | | |
| Sheet 1 of 1 | | Mounting | VESA <input checked="" type="checkbox"/> Bracket <input type="checkbox"/> | | Approved By: Zhou Bolin |
| VER: 0.1 | Scale: 1:1 | Notes | | | |
| Tolerance: ±1.0mm | | Touch Technology | P-CAP <input checked="" type="checkbox"/> SAW <input type="checkbox"/> IR/PIT <input type="checkbox"/> Resistive <input type="checkbox"/> Non-Touch <input type="checkbox"/> | | |