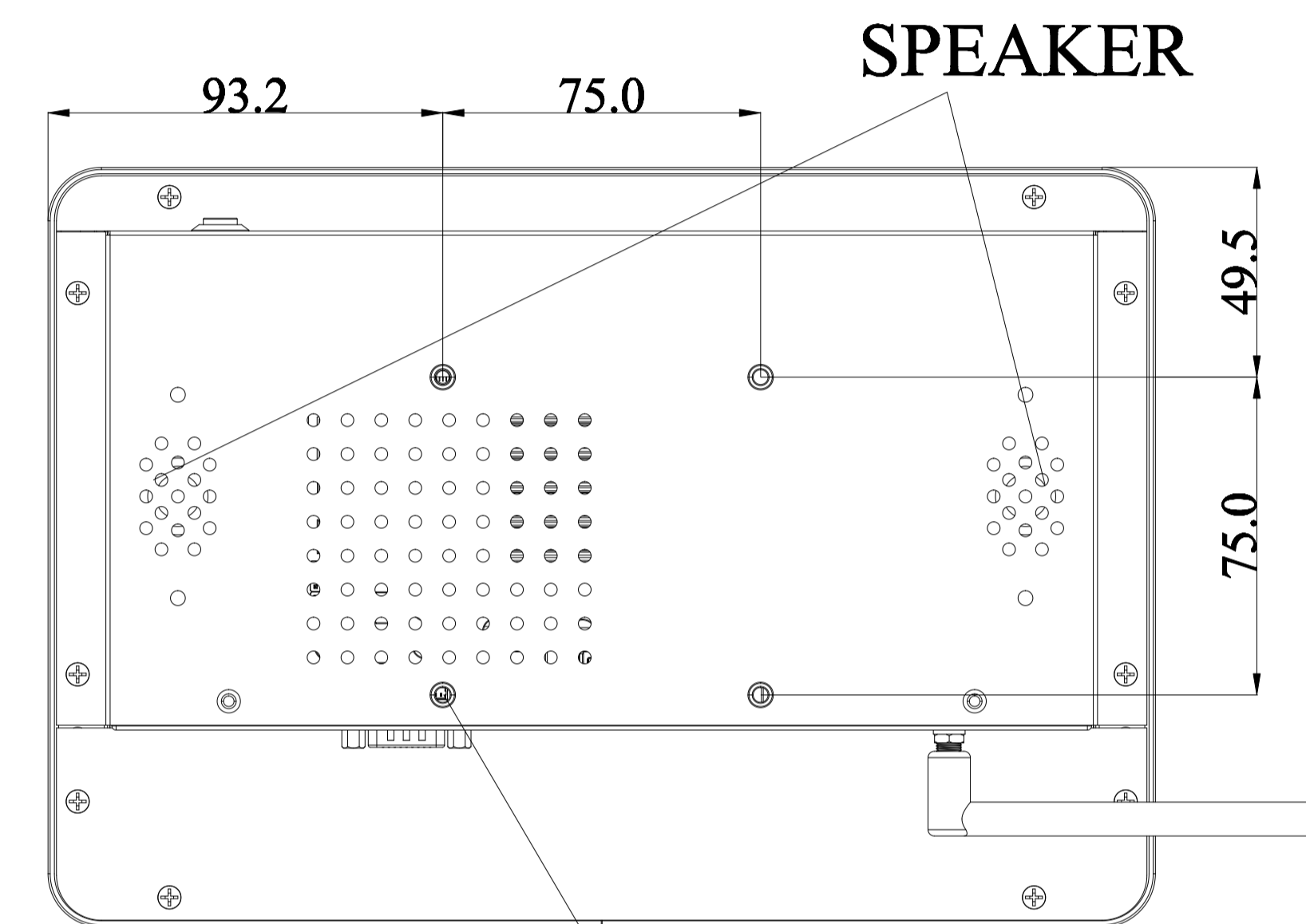
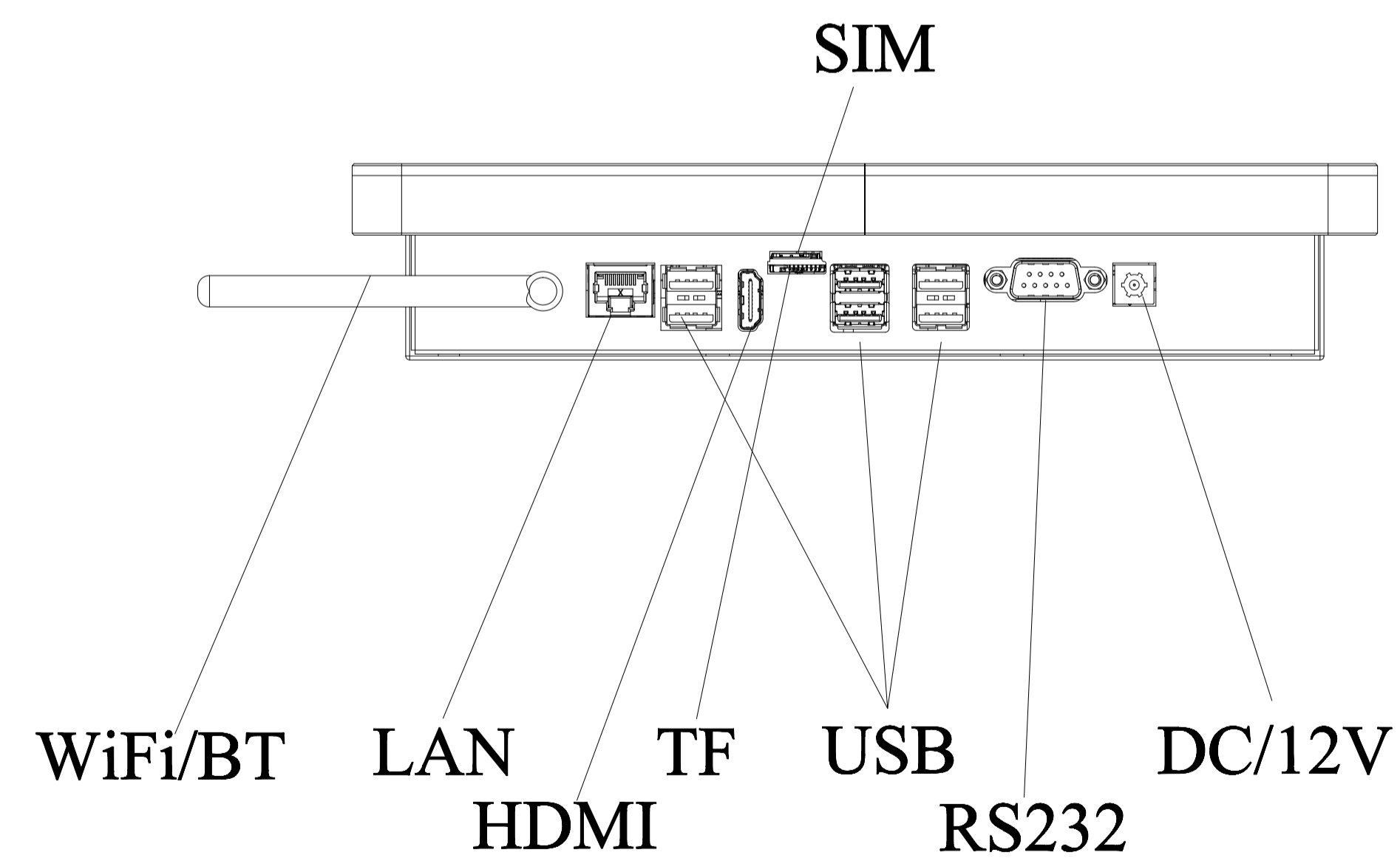
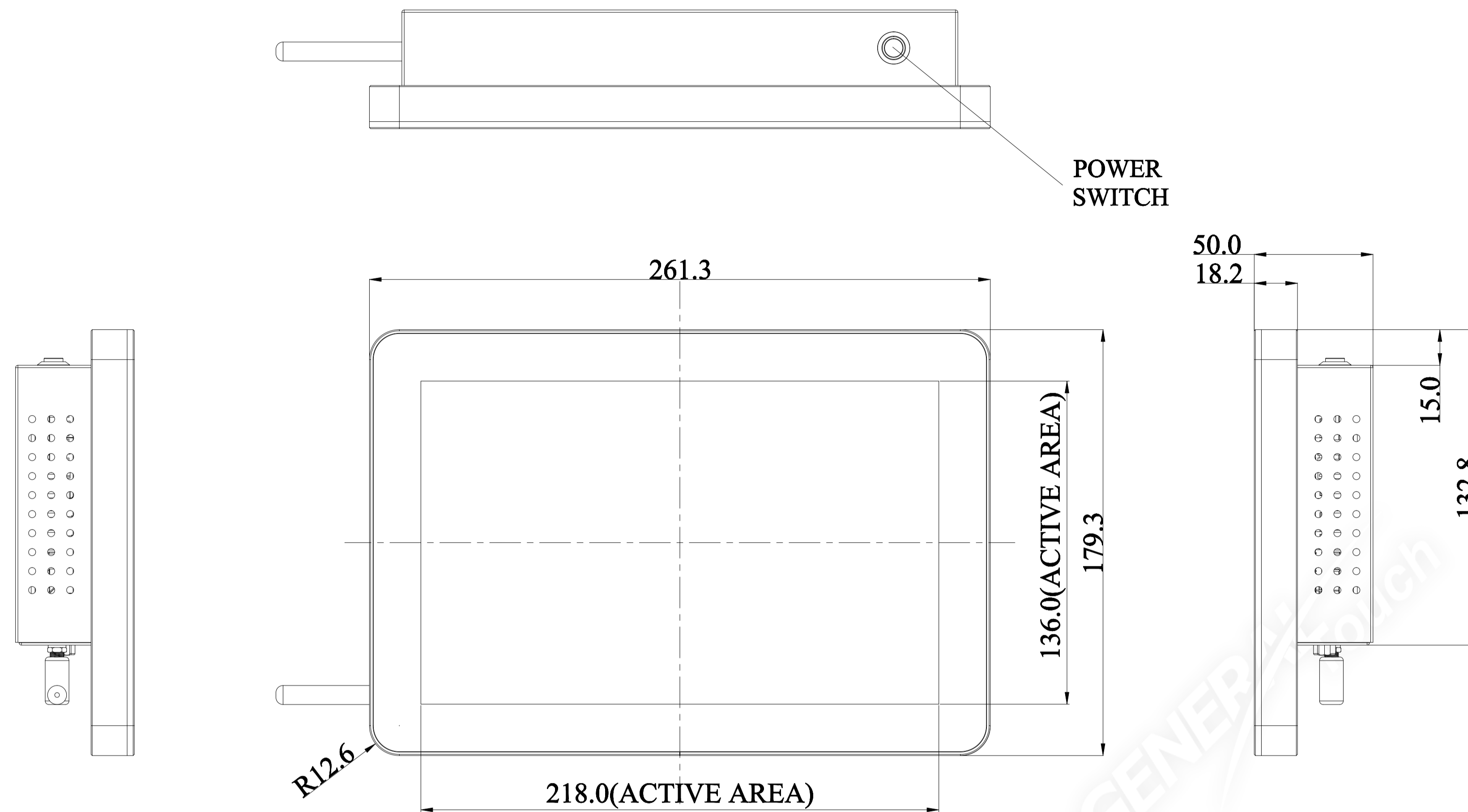


Title: ATL105-RC3-2B00-A02-1.0

Mark	Revised Contents	Signature
△		



M4 Threads, X4
Max Screw Depth=6mm
From Mounting Surface

ALL DIMENSIONS ARE IN MILLIMETERS

GENERAL Touch		GeneralTouch Co., Ltd.			
Specification	External Dimensions	261.3*179.3*50	Anti-Glare	<input type="checkbox"/> Y <input checked="" type="checkbox"/> N	Designer: Wang Zhenghua
Unit	Date	Active Area	DustProof	<input type="checkbox"/> Y <input checked="" type="checkbox"/> N	
mm	20231208	Glass Thickness			Checked By: Duan Wenbin
Projection:		Silk Print Color			
Sheet 1 of 1		Mounting	VESA <input checked="" type="checkbox"/>	Bracket <input type="checkbox"/>	Approved By: Zhou Bolin
VER: 0.2	Scale: 1:1	Notes			
Tolerance: ±1.0mm		Touch Technology	P-CAP <input checked="" type="checkbox"/>	SAW <input type="checkbox"/>	
			IR/PIT <input type="checkbox"/>	Resistive <input type="checkbox"/>	
			Non-Touch <input type="checkbox"/>		