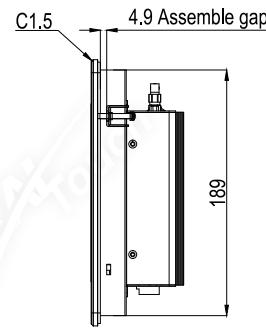
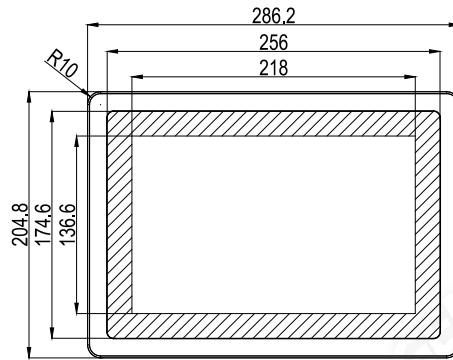
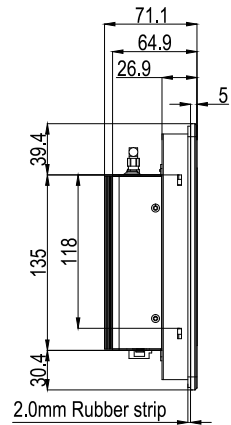
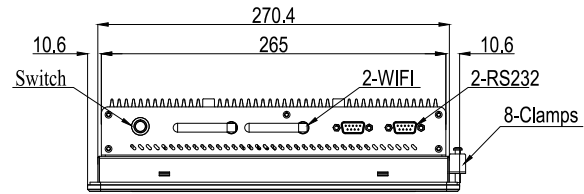
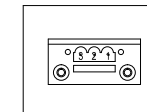
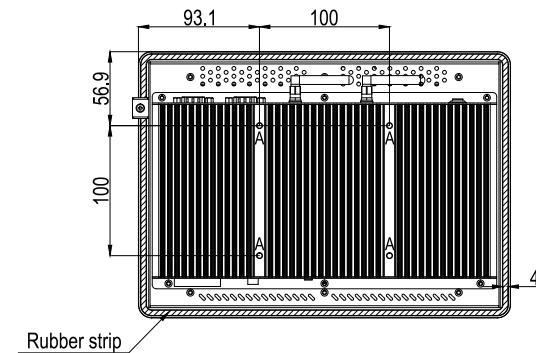


TITLE: CTL109-RCB-2000-A0D-1.0

MARK	REVISED CONTENTS	DATE	SIGNATURE

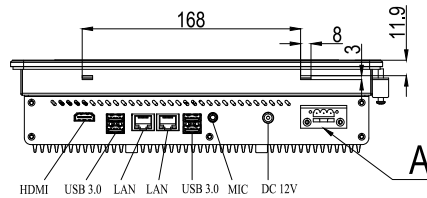


A:M4 Max Screw Depth=6mm
From Mounting Surface



#1:VCC #2:GND #3:EGND

Detail A
2:1



ALL DIMENSIONS ARE IN MILLIMETERS

GENERAL Touch		GeneralTouch Co.,Ltd.				
SPEC or MATERIAL REMARK		External Dimensions	286.2*204.8*71.4	Anti-Glare	Y <input type="checkbox"/> N <input checked="" type="checkbox"/>	DESIGNER:
UNIT	DATE	Active Area	216.96*135.6	DustPro	Y <input checked="" type="checkbox"/> N <input type="checkbox"/>	Jiawei Xiong
mm	2024/03/25	Glass Thickness	2mm			
Projection:		Silk Print Color	Black			
		Mounting	Vesa <input checked="" type="checkbox"/> Bracket <input type="checkbox"/>			CHECKED: Yang Li
SHEET 1 OF 1		NOTES				
RVE: 0.2	SCALE: Free	TOUCH TECHNOLOGY	P-CAP	<input checked="" type="checkbox"/>	SAW	APPROVED: Haiwei Tang
Tolerance: ±1.0mm			IR/PIT	<input type="checkbox"/>	RESISTIVE	
			Non-Touch	<input type="checkbox"/>		