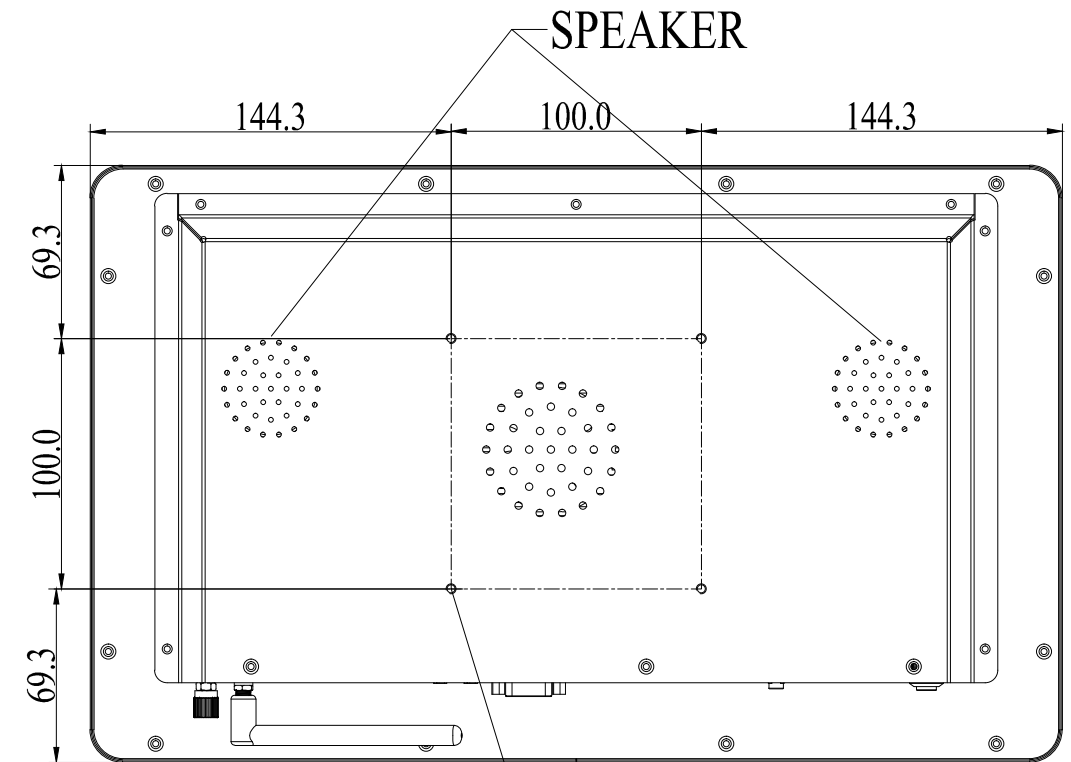
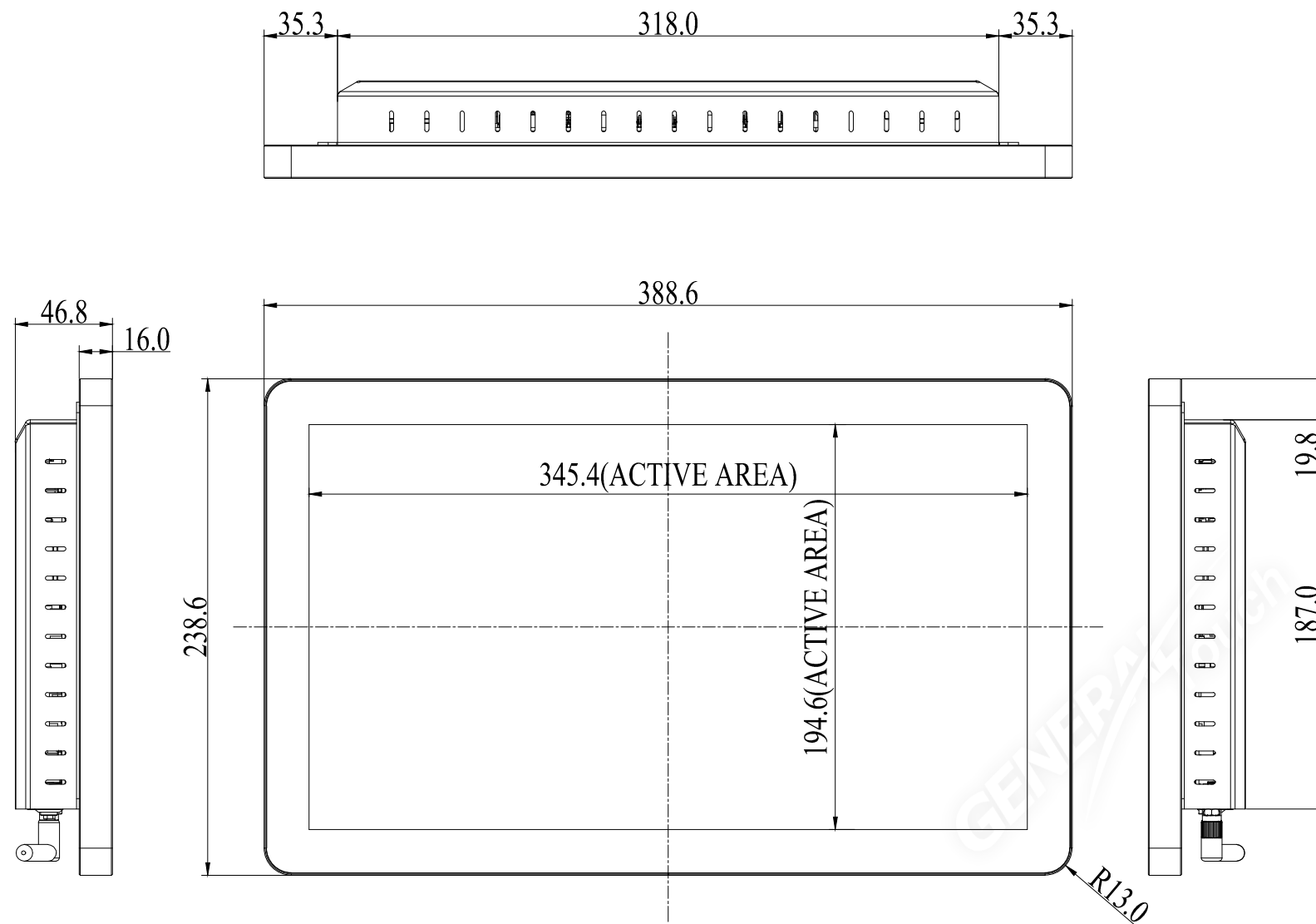
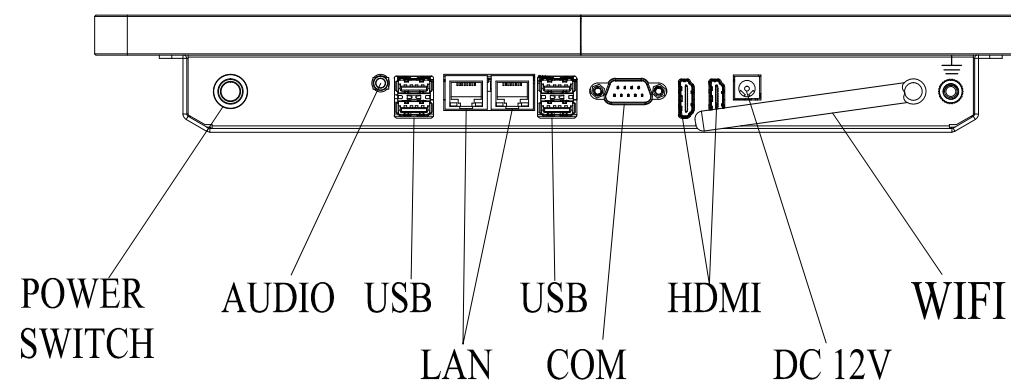


Title: CTL155-RCM-2B00-A0D-2.0

Mark	Revised Contents	Signature
△		



M4 Threads, X4
Max Screw Depth=6mm
From Mounting Surface



ALL DIMENSIONS ARE IN MILLIMETERS

GENERAL Touch		GeneralTouch Co., Ltd.			
Specification	External Dimensions	388.6*238.6*46.8	Anti-Glare	Y <input type="checkbox"/> N <input checked="" type="checkbox"/>	Designer:
Unit	Date	Active Area	DustProof	Y <input type="checkbox"/> N <input checked="" type="checkbox"/>	Wang an
mm	2024.3.5	Glass Thickness			Checked By:
Projection:		Silk Print Color			Duan Wenbin
		Mounting	VESA <input checked="" type="checkbox"/>	Bracket <input type="checkbox"/>	Approved By:
Sheet 1 of 1		Notes			Zhou Bolin
VER: 0.1	Scale: 1:1	Touch Technology	P-CAP	<input checked="" type="checkbox"/>	SAW
Tolerance: ±1.0mm			IR/PIT		Resistive
			Non-Touch		