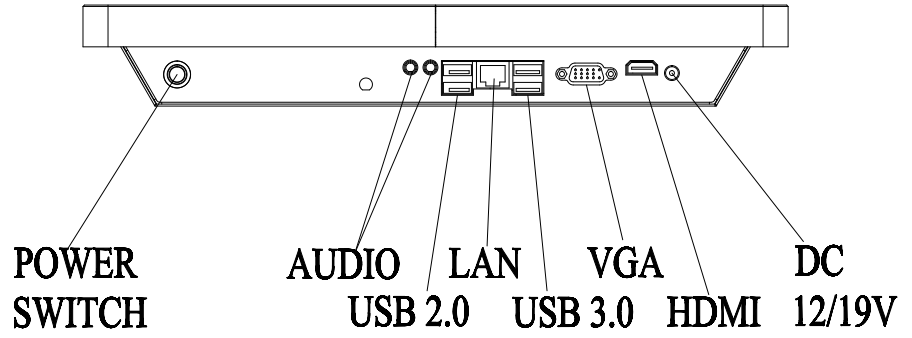
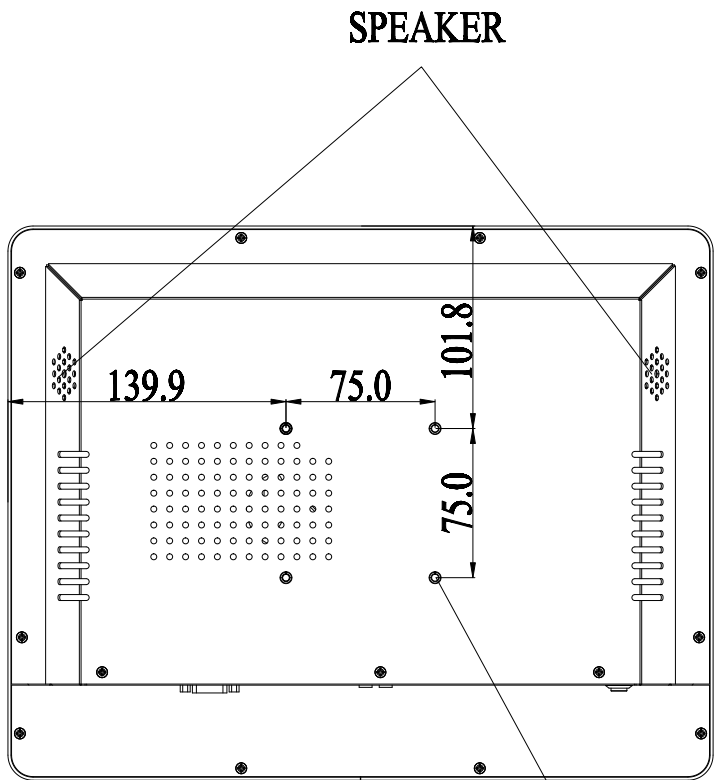
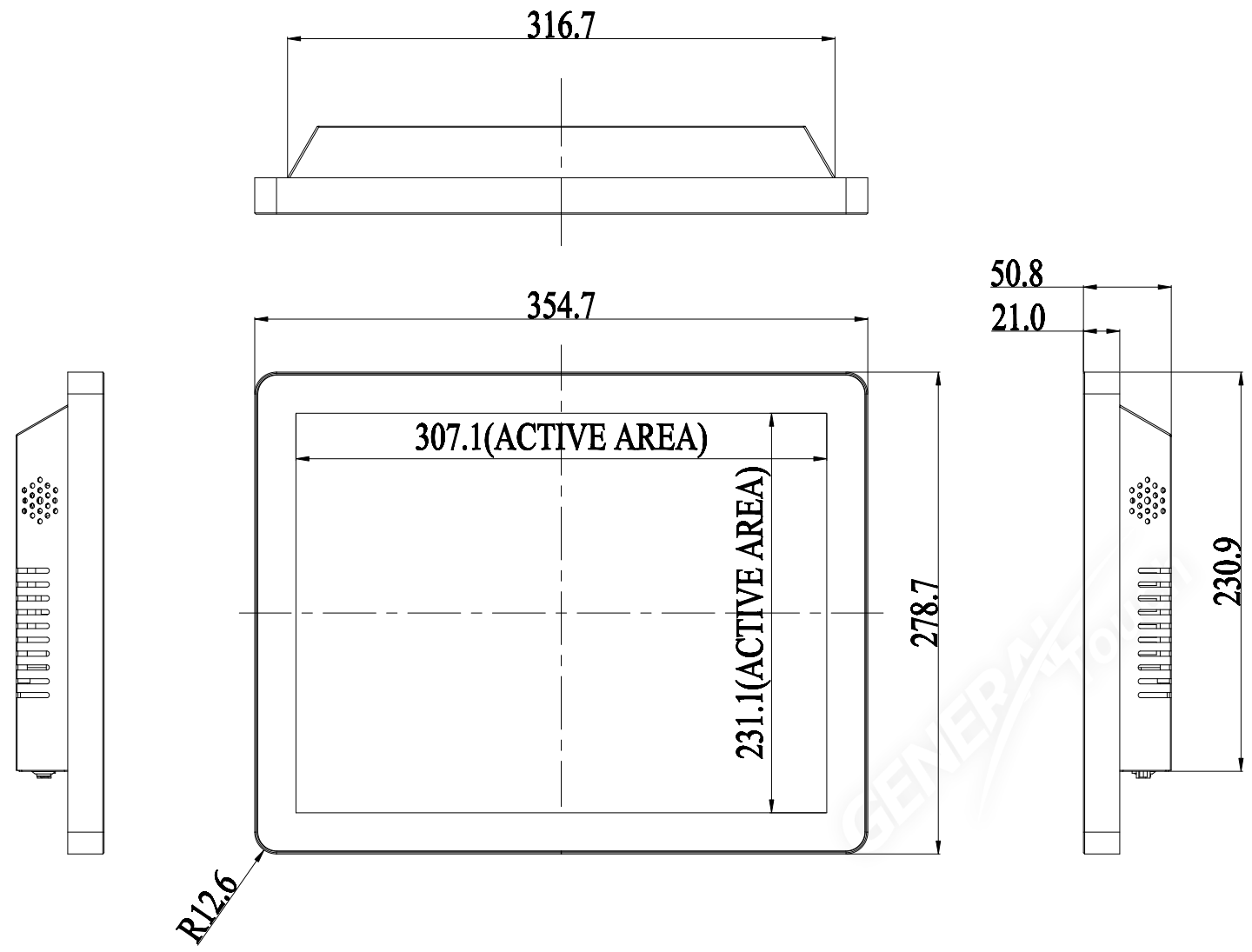


Title: CTL15F-RCP-0B00-A0D-1.0

Mark	Revised Contents	Signature
△		

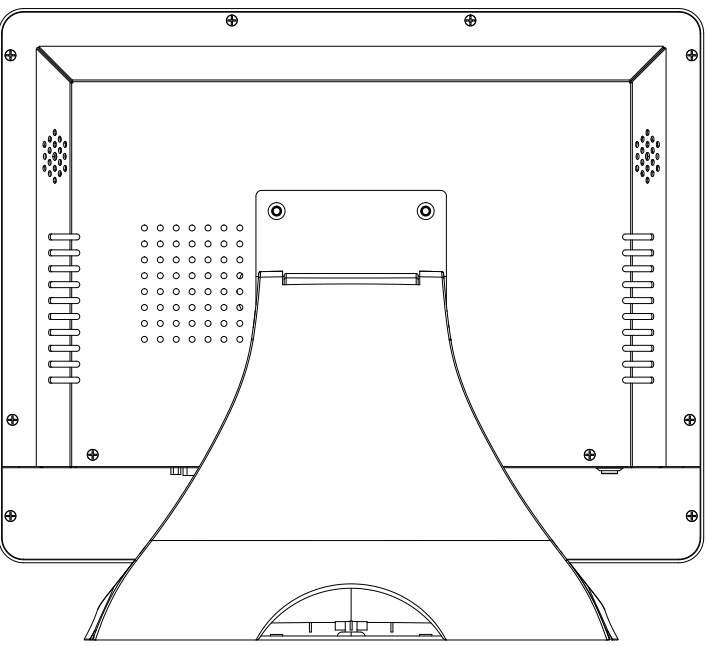
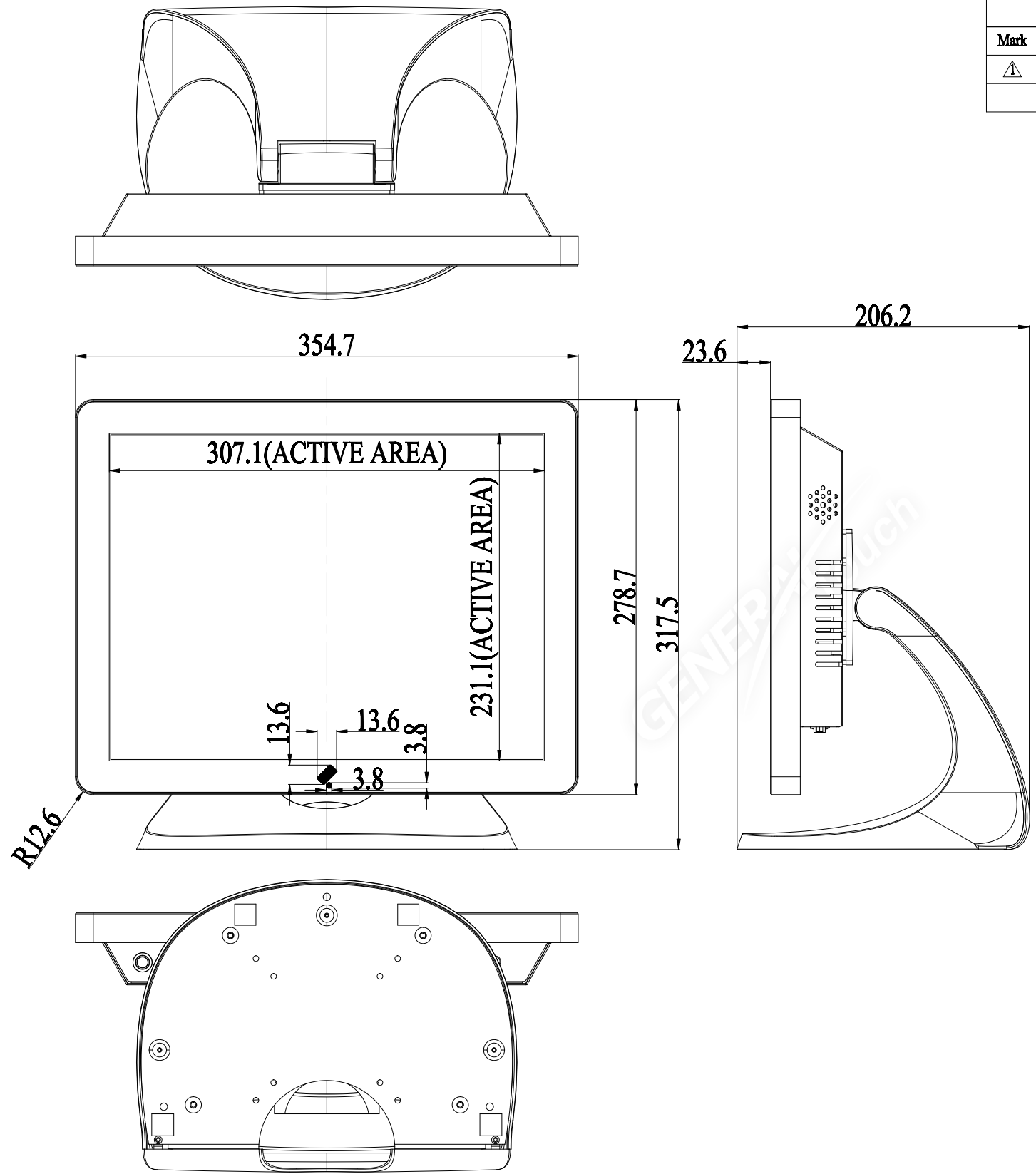
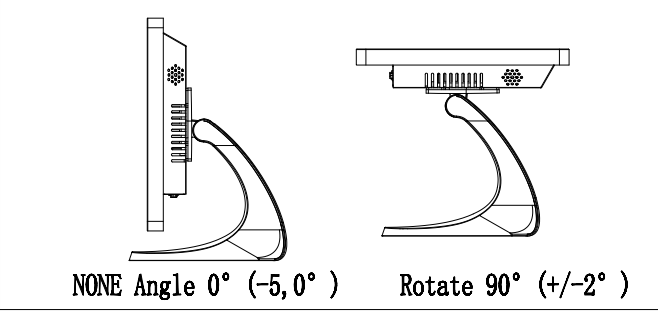


ALL DIMENSIONS ARE IN MILLIMETERS

GENERAL Touch		GeneralTouch Co., Ltd.			
Specification	External Dimensions	354.7*278.7*50.8	Anti-Glare	Y <input type="checkbox"/> N <input checked="" type="checkbox"/>	Designer: Wang Zhengma
Unit	Date	Active Area	DustProof	Y <input type="checkbox"/> N <input checked="" type="checkbox"/>	
mm	20230602	Glass Thickness	1.1 mm		Checked By:
Projection:		Silk Print Color	BLACK		Duan Wenbin
		Mounting	VESA <input checked="" type="checkbox"/> Bracket <input type="checkbox"/>		Approved By:
Sheet 1 of 2		Notes			Zhou Bolin
VER: 0.2	Scale: 1:1	Touch Technology	P-CAP <input checked="" type="checkbox"/> SAW <input type="checkbox"/>	IR/PIT <input type="checkbox"/> Resistive <input type="checkbox"/>	
Tolerance: ±1.0mm			Non-Touch <input type="checkbox"/>		

Title: CTL15F-RCP-0B00-A0D-1.0

Mark	Revised Contents	Signature
△		



ALL DIMENSIONS ARE IN MILLIMETERS

GENERAL Touch		GeneralTouch Co., Ltd.			
Specification	External Dimensions	354.7*317.5*206.2	Anti-Glare	Y <input type="checkbox"/> N <input checked="" type="checkbox"/>	Designer:
Unit	Date	Active Area	DustProof	Y <input type="checkbox"/> N <input checked="" type="checkbox"/>	Wang Zhengma
mm	20230602	Glass Thickness			Checked By:
Projection:		Silk Print Color			Duan Wenbin
		Mounting	VESA <input type="checkbox"/> Bracket <input type="checkbox"/>		Approved By:
Sheet 2 of 2		Notes			Zhou Bolin
VER: 0.2	Scale: 1:1	Touch Technology	P-CAP <input checked="" type="checkbox"/> SAW <input type="checkbox"/>	IR/PIT <input type="checkbox"/> Resistive <input type="checkbox"/>	
Tolerance: ±1.0mm			Non-Touch <input type="checkbox"/>		