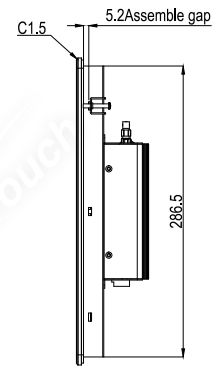
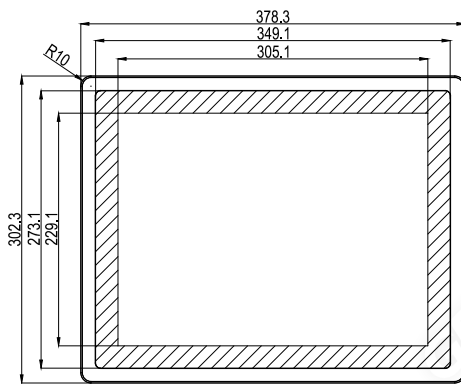
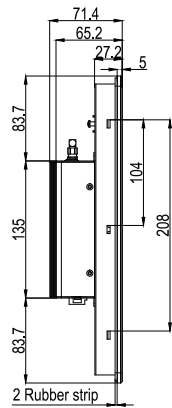
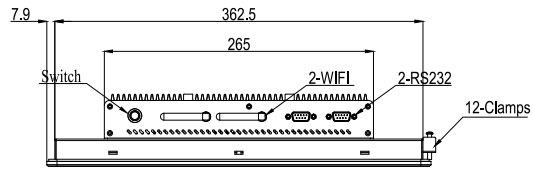
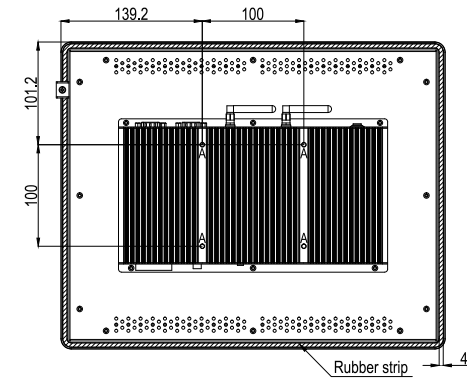


TITLE: CTL15N-RCB-2000-A0D-1.0

MARK	REVISED CONTENTS	DATE	SIGNATURE

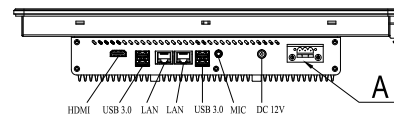


A: M4 Max Screw Depth=6mm
From Mounting Surface



#1:VCC #2:GND #3:EGND

Detail A
2:1



ALL DIMENSIONS ARE IN MILLIMETERS

GENERAL Touch		GeneralTouch Co.,Ltd.			
SPEC or MATERIAL REMARK	External Dimensions	378.3*302.3*71.4	Anti-Glare	<input type="checkbox"/> Y <input checked="" type="checkbox"/> N	DESIGNER:
UNIT	DATE	Active Area	DustPro	<input type="checkbox"/> Y <input checked="" type="checkbox"/> N	Jiawei Xiong
mm	2023/12/07	Glass Thickness	2mm		
Projection:		Silk Print Color	Black		
		Mounting	Vesa <input checked="" type="checkbox"/> Bracket <input type="checkbox"/>	CHECKED:	Yang Li
SHEET 1 OF 1		NOTES			
RVE: 0.2	SCALE: Free	TOUCH TECHNOLOGY	P-CAP <input checked="" type="checkbox"/> IR/PIT <input type="checkbox"/> Non-Touch <input type="checkbox"/>	SAW <input type="checkbox"/> RESISTIVE <input type="checkbox"/>	APPROVED:
Tolerance: ±1.5mm					Haiwei Tang