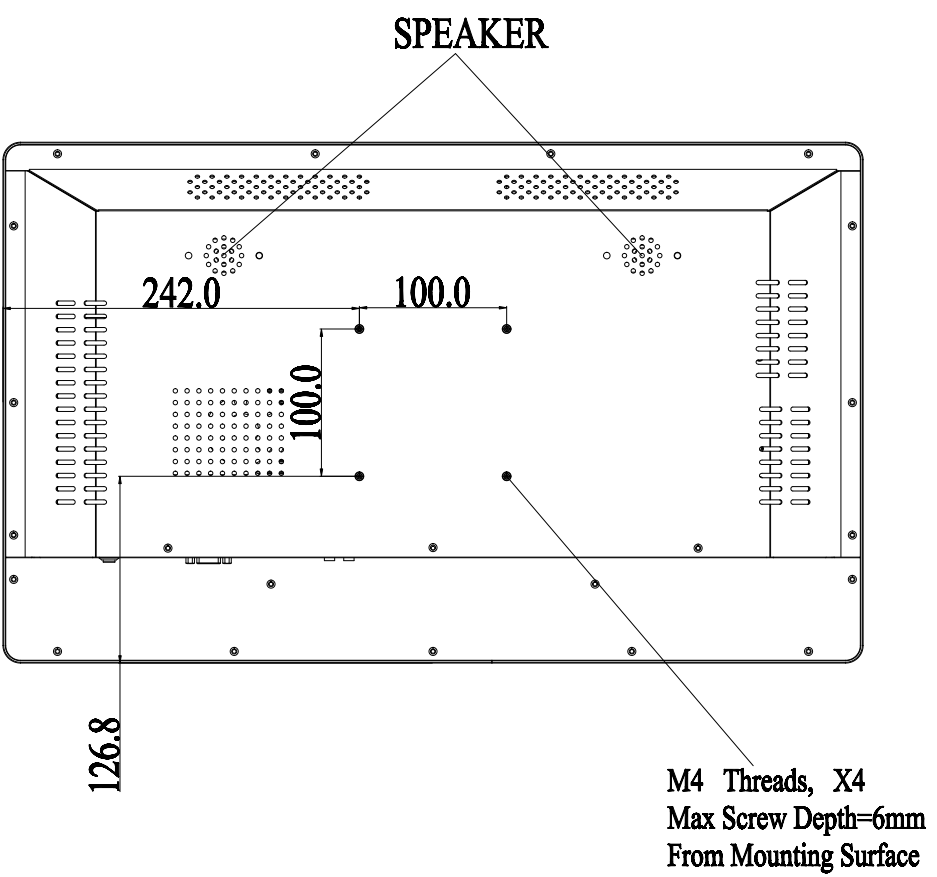
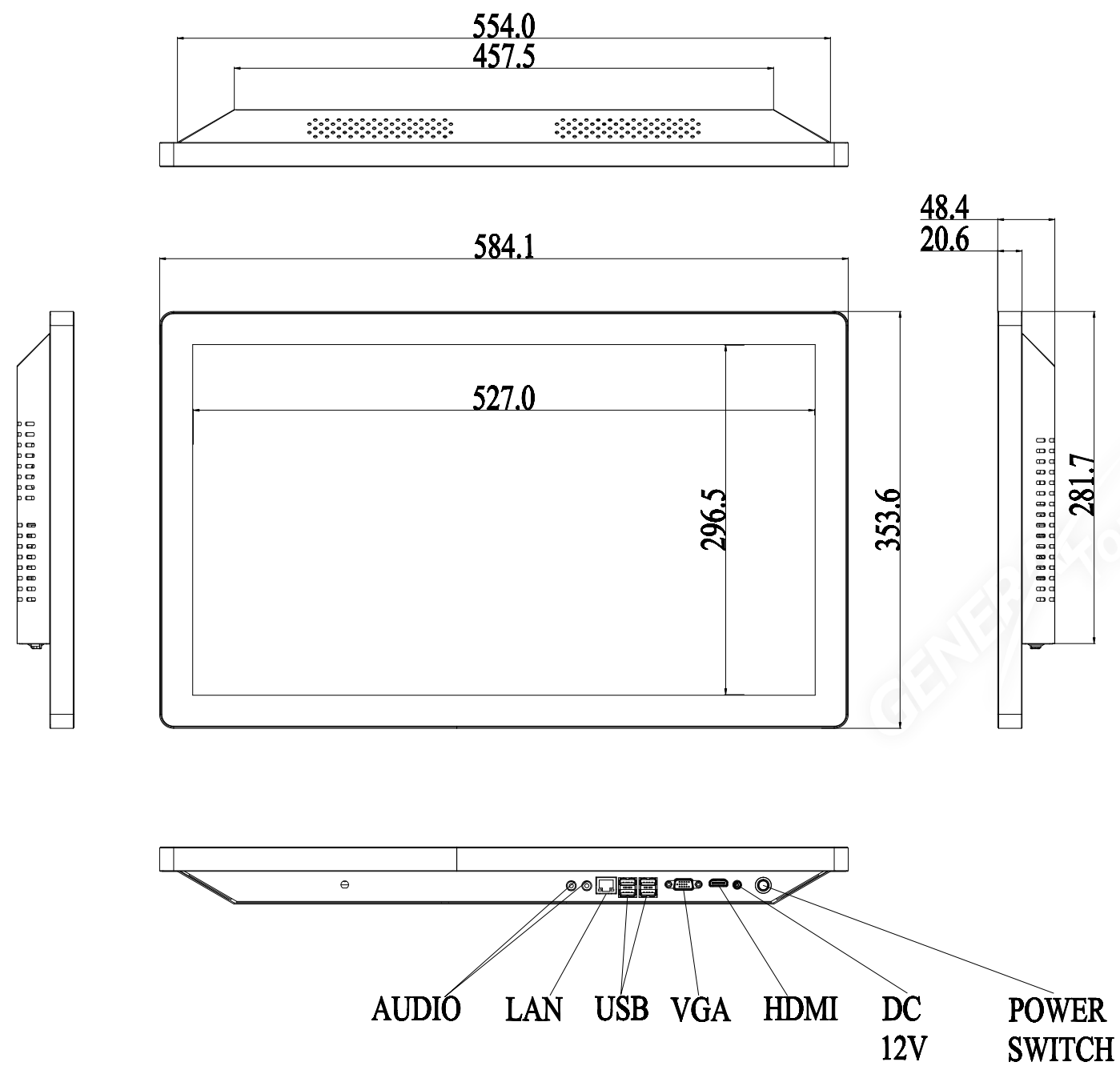


Title: CTL245-RCS-0B00-A0D-1.0

Mark	Revised Contents	Signature
△		



ALL DIMENSIONS ARE IN MILLIMETERS

GENERAL Touch		GeneralTouch Co., Ltd.			
Specification	External Dimensions	584.1*353.6*48.4	Anti-Glare	Y <input type="checkbox"/> N <input checked="" type="checkbox"/>	Designer: Wang Zhenghua
Unit	Date	Active Area	DustProof	Y <input type="checkbox"/> N <input checked="" type="checkbox"/>	
mm	20230911	Glass Thickness	3mm		Checked By: Duan Wenbin
Projection:		Silk Print Color	Black		
Sheet 1 of 1		Mounting	VESA <input checked="" type="checkbox"/> Bracket <input type="checkbox"/>		Approved By: Zhou Bolin
VER: 0.1	Scale: 1:1	Notes			
Tolerance: ±1.5mm		Touch Technology	P-CAP <input checked="" type="checkbox"/> SAW <input type="checkbox"/> IR/PIT <input type="checkbox"/> Resistive <input type="checkbox"/> Non-Touch <input type="checkbox"/>		