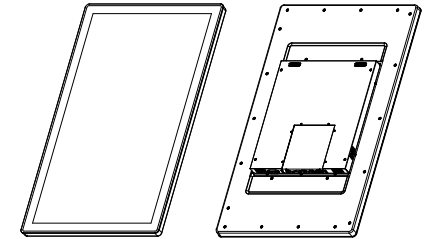
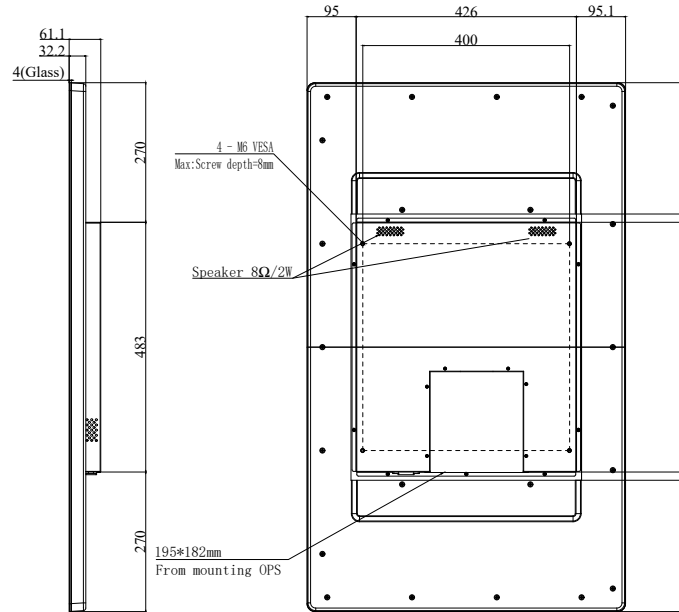
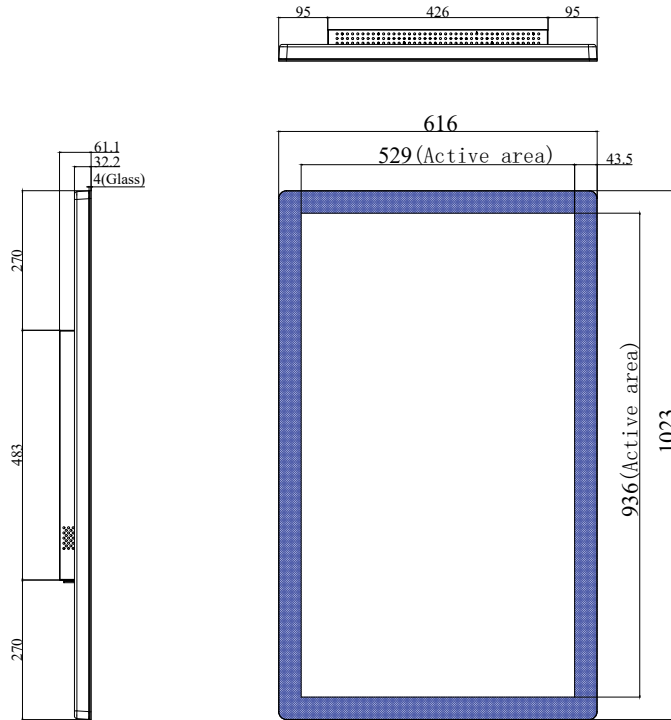
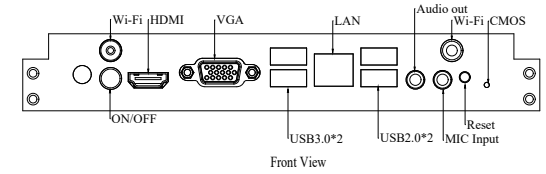


# TITLE: CTL437-RCP-2B00-30D-1.0

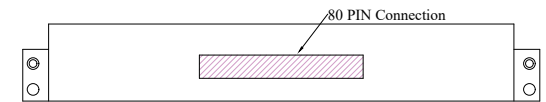
MARK	REVISED CONTENTS	DATE	SIGNATURE



Scale 0.5

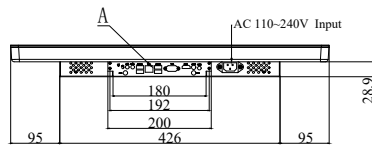


Front View



Back View

A  
4:1



GENERAL Touch		GeneralTouch Co.,Ltd.			
SPEC or MATERIAL REMARK	External Dimensions	1023*616*60.6	Anti-Glare	Y <input type="checkbox"/> N <input checked="" type="checkbox"/>	DESIGNER:
UNIT	DATE	Active Area	DustPro	Y <input type="checkbox"/> N <input checked="" type="checkbox"/>	Liyongsong
mm	2020/03/23	Glass Thickness			
Projection:		Silk Print Color	Black		
		Mounting	Vesa <input checked="" type="checkbox"/> Bracket <input type="checkbox"/>		CHECKED:
SHEET 1 OF 1		NOTES			Xiongjiawei
RVE: 0.1	SCALE: 1:1	TOUCH TECHNOLOGY	P-CAP	√ SAW	APPROVED:
Tolerance: ±3.0mm			IR/PIT	RESISTIVE	Tanghaiwei
			Non-Touch		