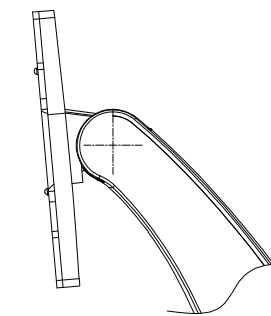
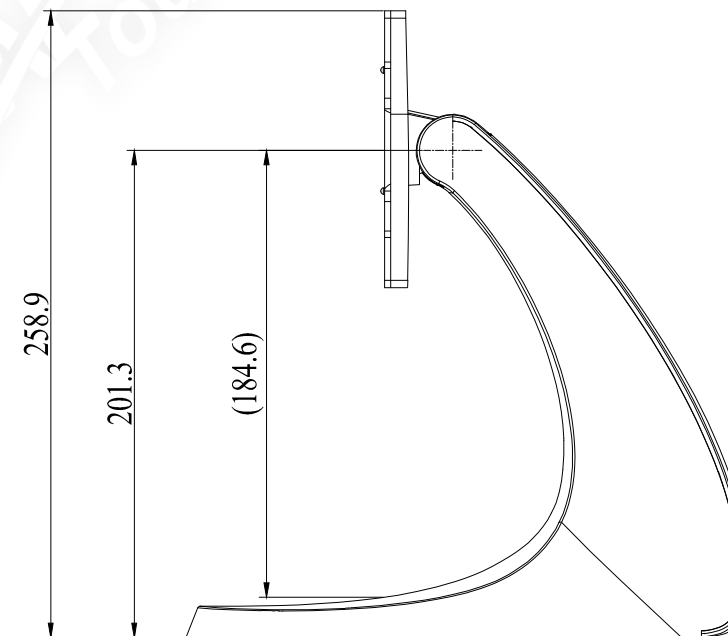
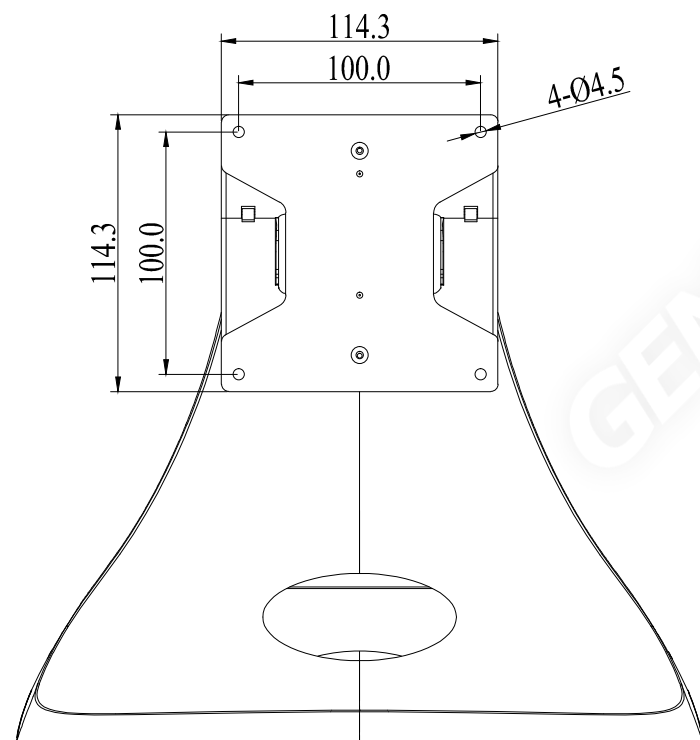
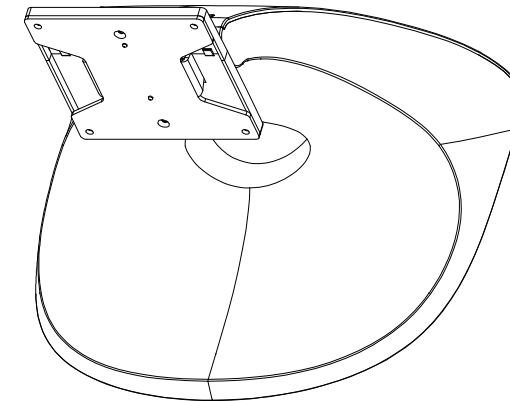
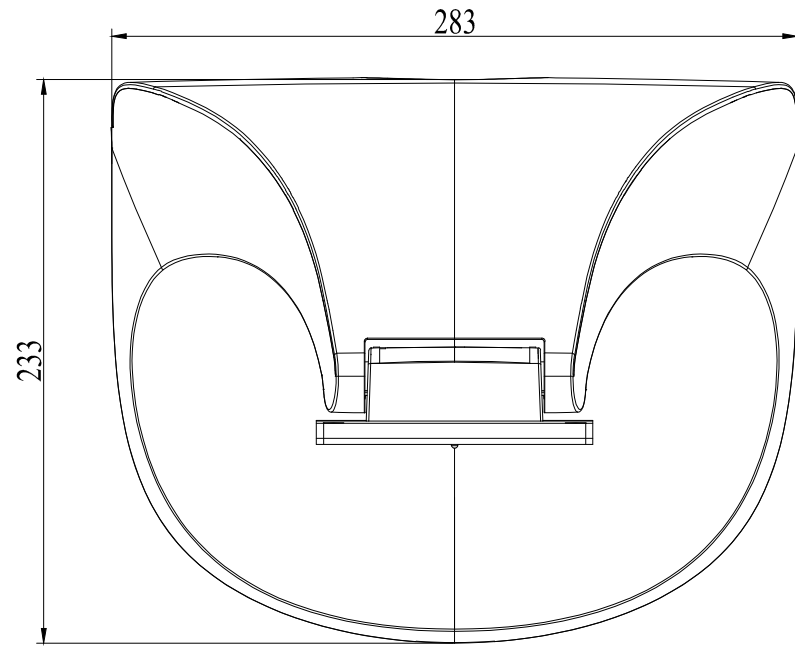
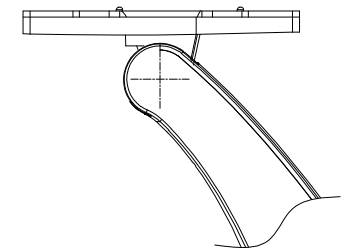


Title: DPB01(120400078R)

Mark	Revised Contents	Signature
△		



Rotate: $-5^{\circ} \begin{smallmatrix} +0^{\circ} \\ -2^{\circ} \end{smallmatrix}$



Rotate: $90^{\circ} \begin{smallmatrix} +0^{\circ} \\ -2^{\circ} \end{smallmatrix}$

Product parameters:

- 1、Product color:black
- 2、Load-bearing range:within 10kg
- 3、Mounting hole distance:100*100mm
4. Angle of rotation: $-5^{\circ} \begin{smallmatrix} +0^{\circ} \\ -2^{\circ} \end{smallmatrix} \sim 90^{\circ} \begin{smallmatrix} +0^{\circ} \\ -2^{\circ} \end{smallmatrix}$
- 5、Product material: SGCC, plastic shell

ALL DIMENSIONS ARE IN MILLIMETERS

GENERAL Touch		GeneralTouch Co., Ltd.			
Specification	External Dimensions	283*233*258.9	Anti-Glare	<input type="checkbox"/> Y <input checked="" type="checkbox"/> N	Designer: wang an
Unit	Date	VA Area	DustProof	<input type="checkbox"/> Y <input checked="" type="checkbox"/> N	
mm	2022/12/1	Glass Thickness			Checked By:
Projection:		Silk Print Color			Wang Zhenghua
		Mounting	VESA <input checked="" type="checkbox"/> Bracket <input type="checkbox"/>		
Sheet 1 of 1		Notes			Approved By:
VER: 0.1	Scale: 1:1	Touch Technology	P-CAP	<input type="checkbox"/> SAW	Zhou Bolin
Tolerance: ±1.0mm			IR/PIT	<input type="checkbox"/> Resistive	
			Non-Touch	<input type="checkbox"/>	