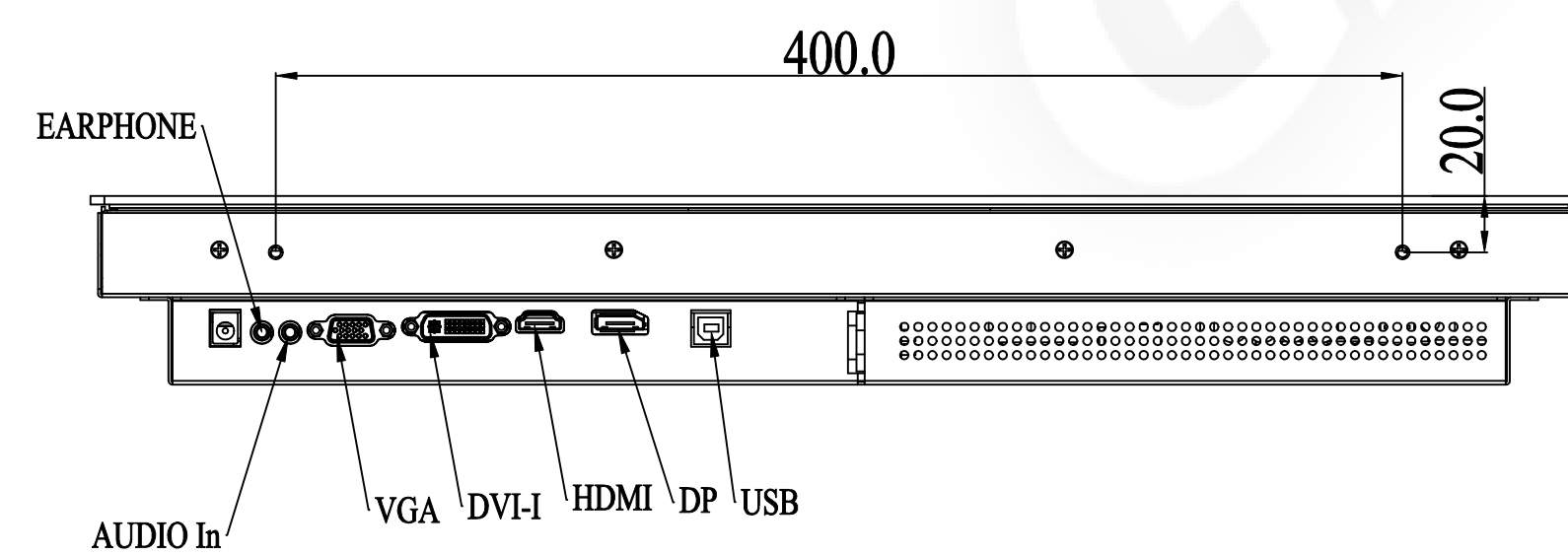
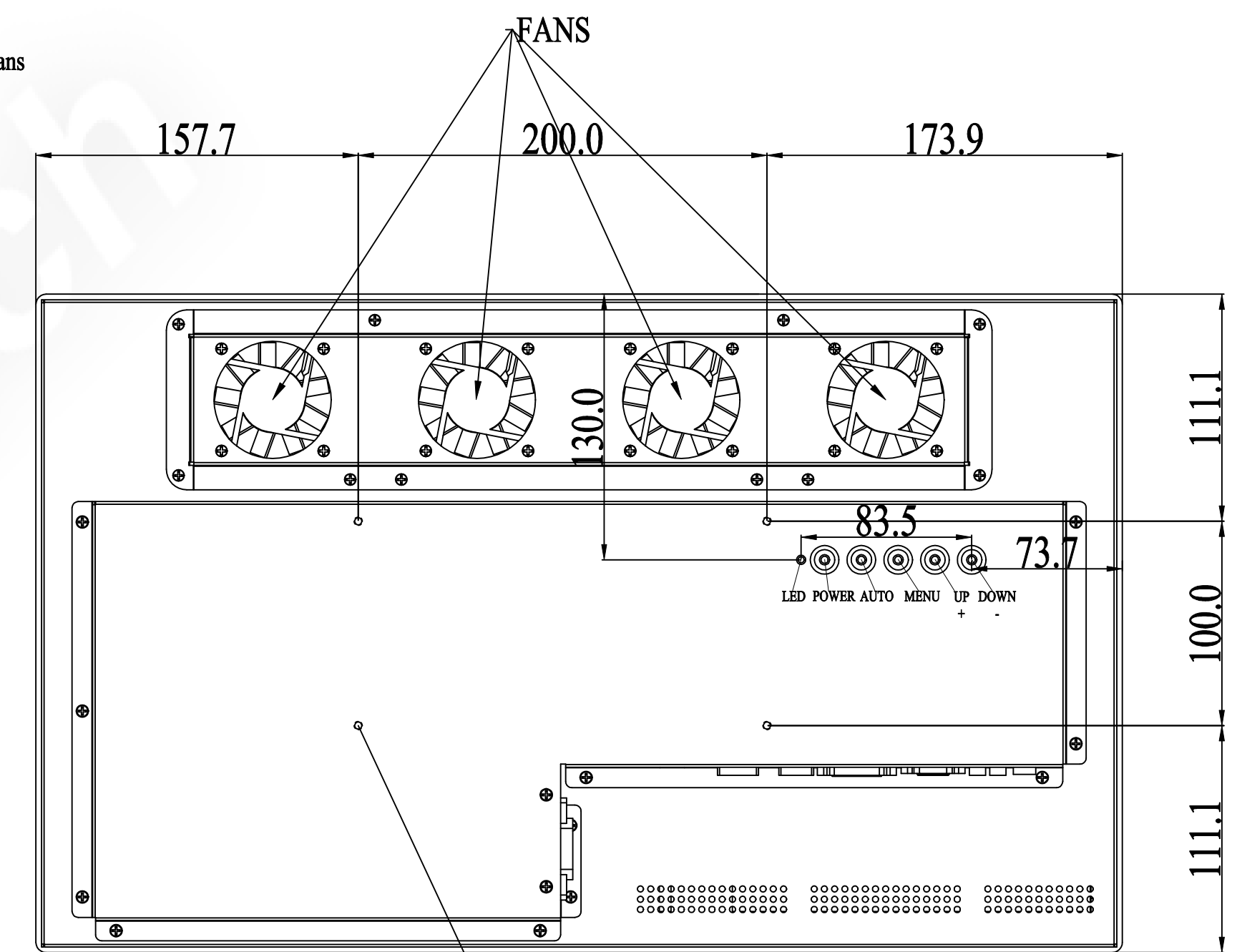
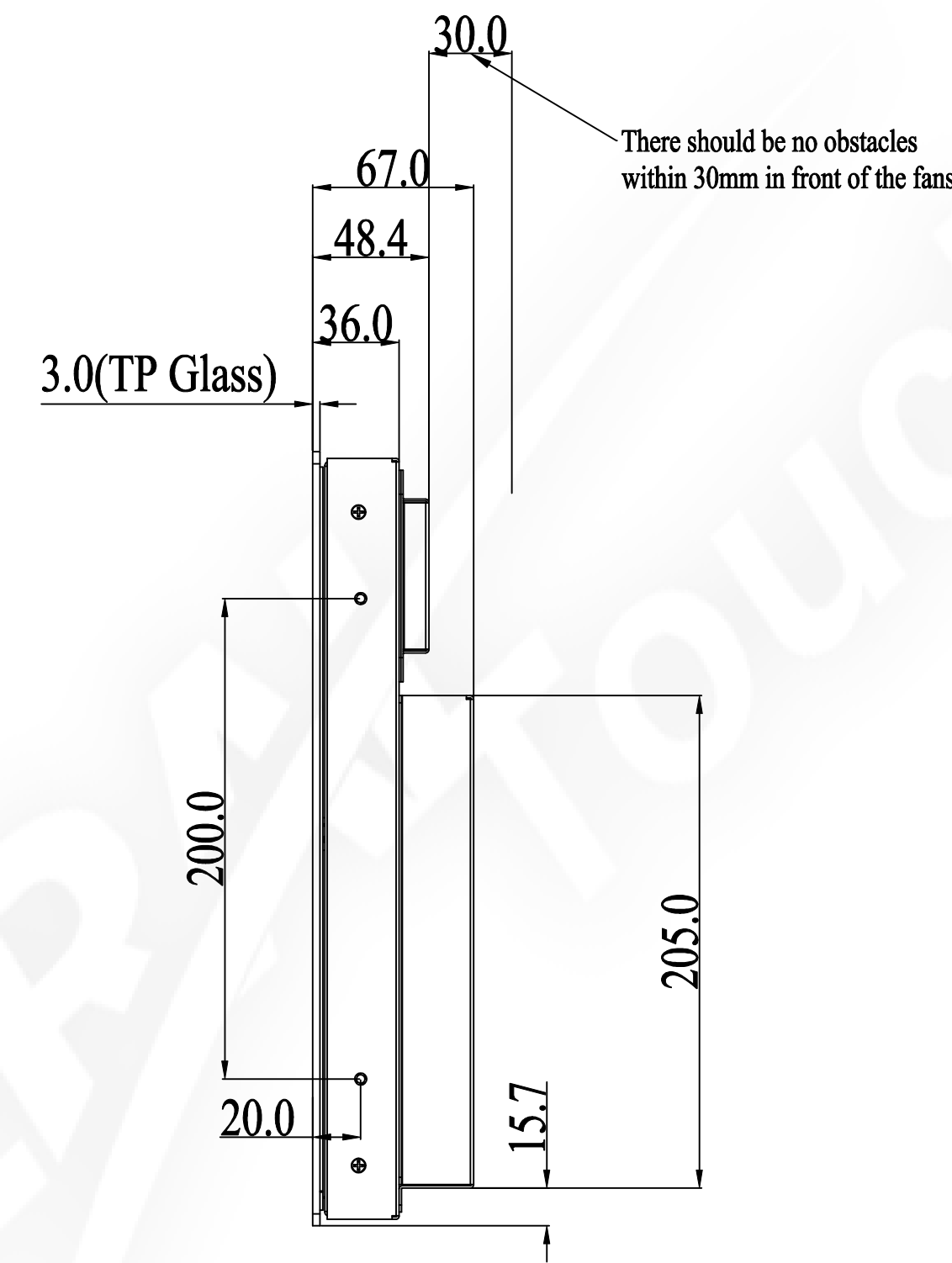
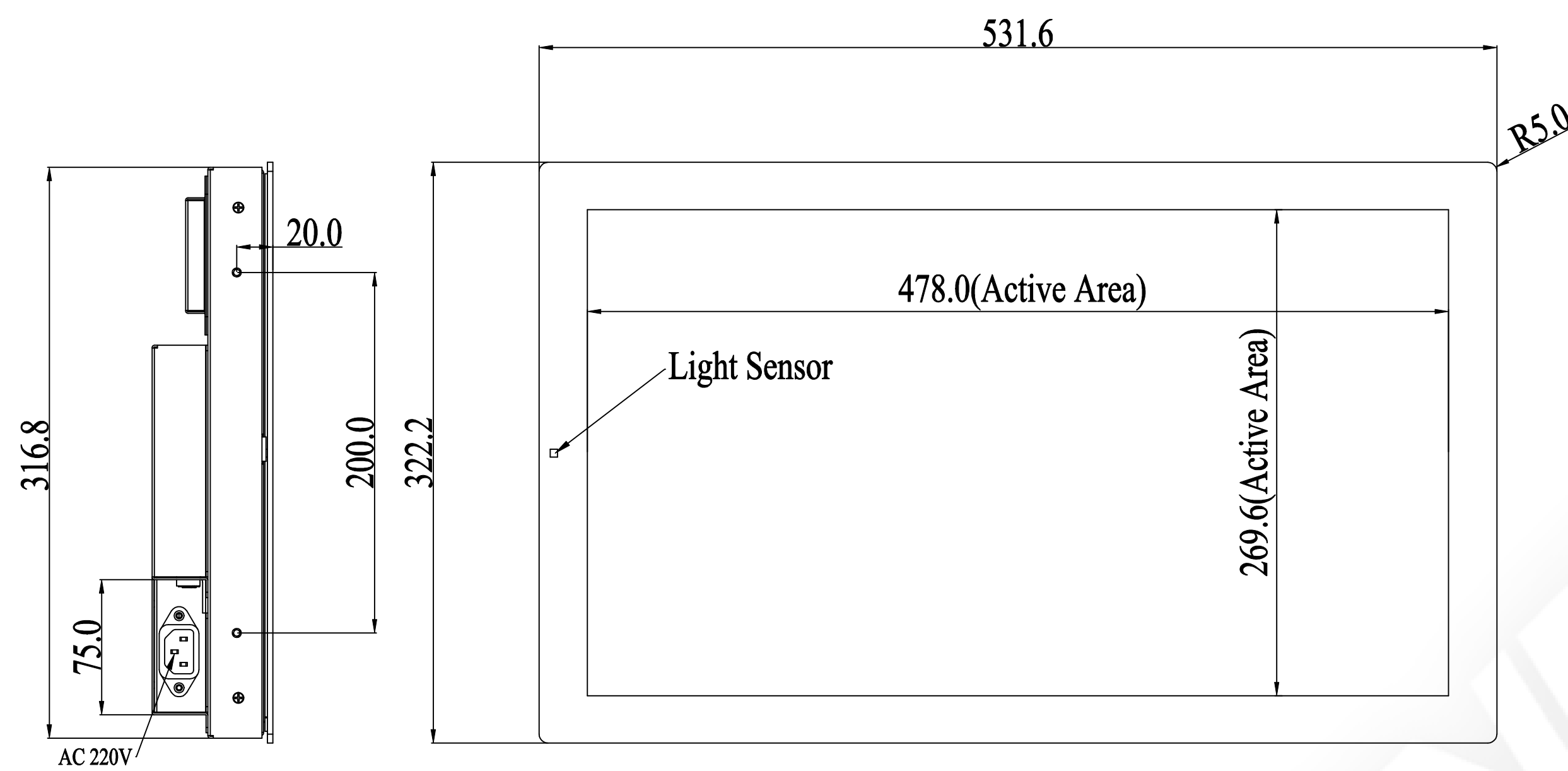
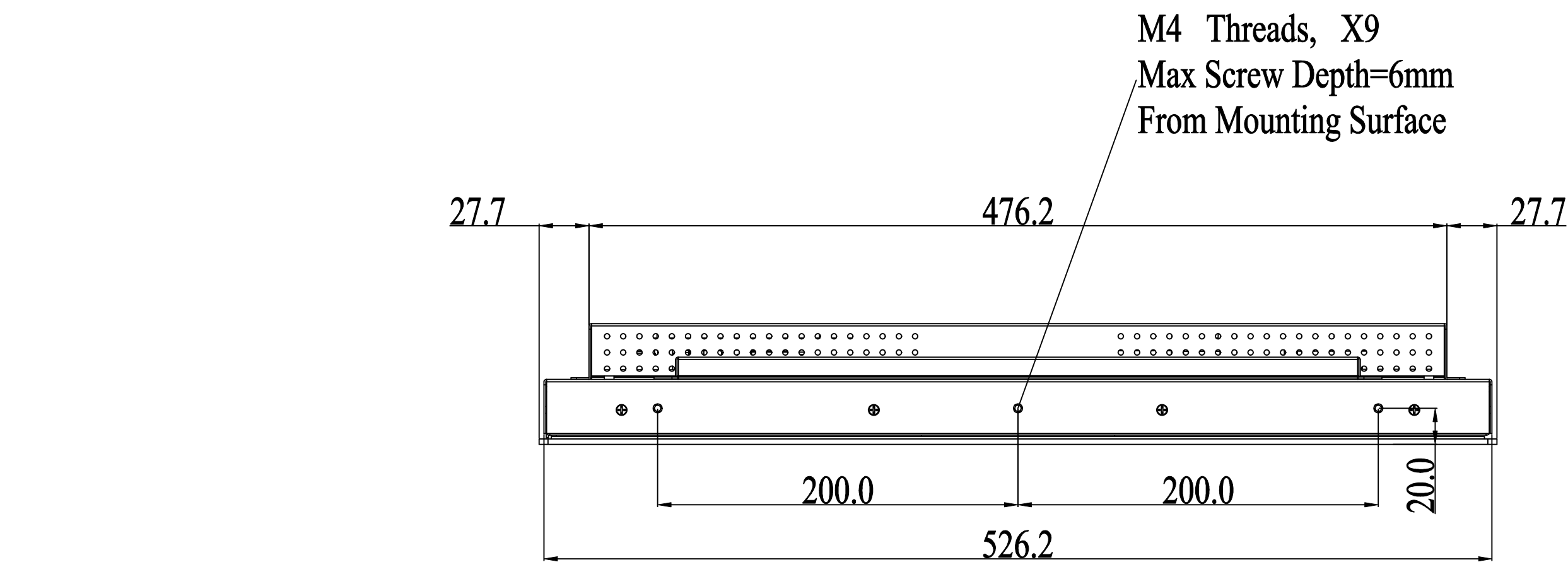


# Title: OSL223-RC50A0-UDA2L0-1.0

Mark	Revised Contents	Signature
△		



ALL DIMENSIONS ARE IN MILLIMETERS

<b>GENERAL Touch</b>		GeneralTouch Co., Ltd.					
Specification	External Dimensions	531.6*322.2*67	Anti-Glare	Y <input checked="" type="checkbox"/> N <input type="checkbox"/>	Designer:		
Unit	Date	Active Area	DustProof	Y <input type="checkbox"/> N <input checked="" type="checkbox"/>	Zhou Bolin		
mm	2022/10/28	Glass Thickness			Checked By:		
Projection:		Silk Print Color			Wang Zhenghua		
		Mounting	VESA <input checked="" type="checkbox"/>	Bracket	<input checked="" type="checkbox"/>		
Sheet 1 of 1		Notes			Approved By:		
VER: 0.1	Scale: 1:1	Touch Technology	P-CAP	<input checked="" type="checkbox"/>	SAW		
Tolerance: ±1.0mm			IR/PIT		Resistive		
			Non-Touch			Zhou Bolin	