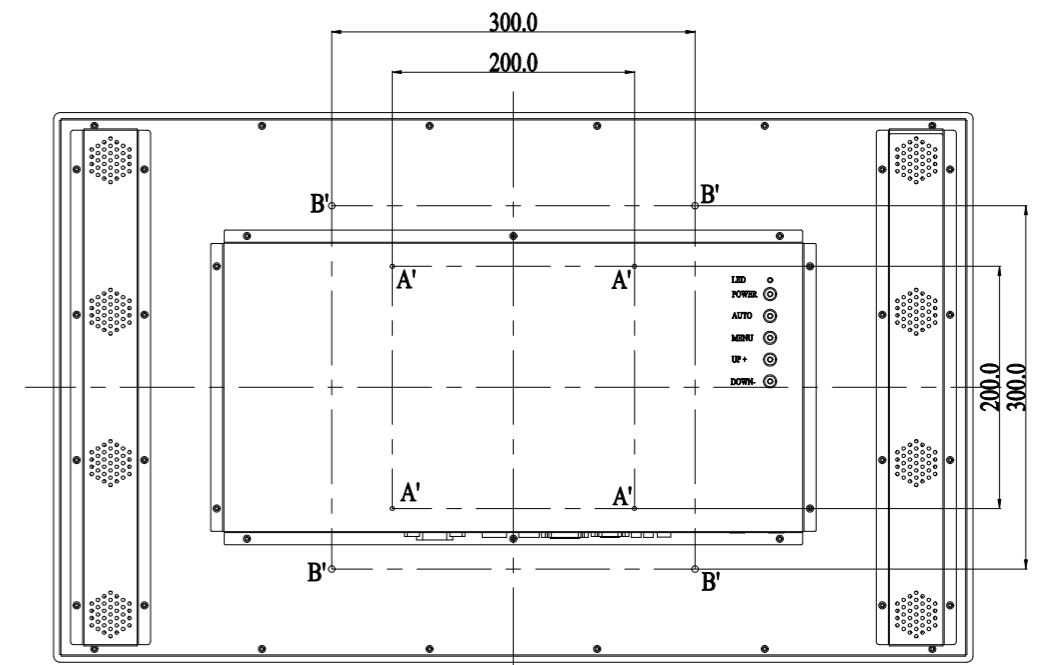
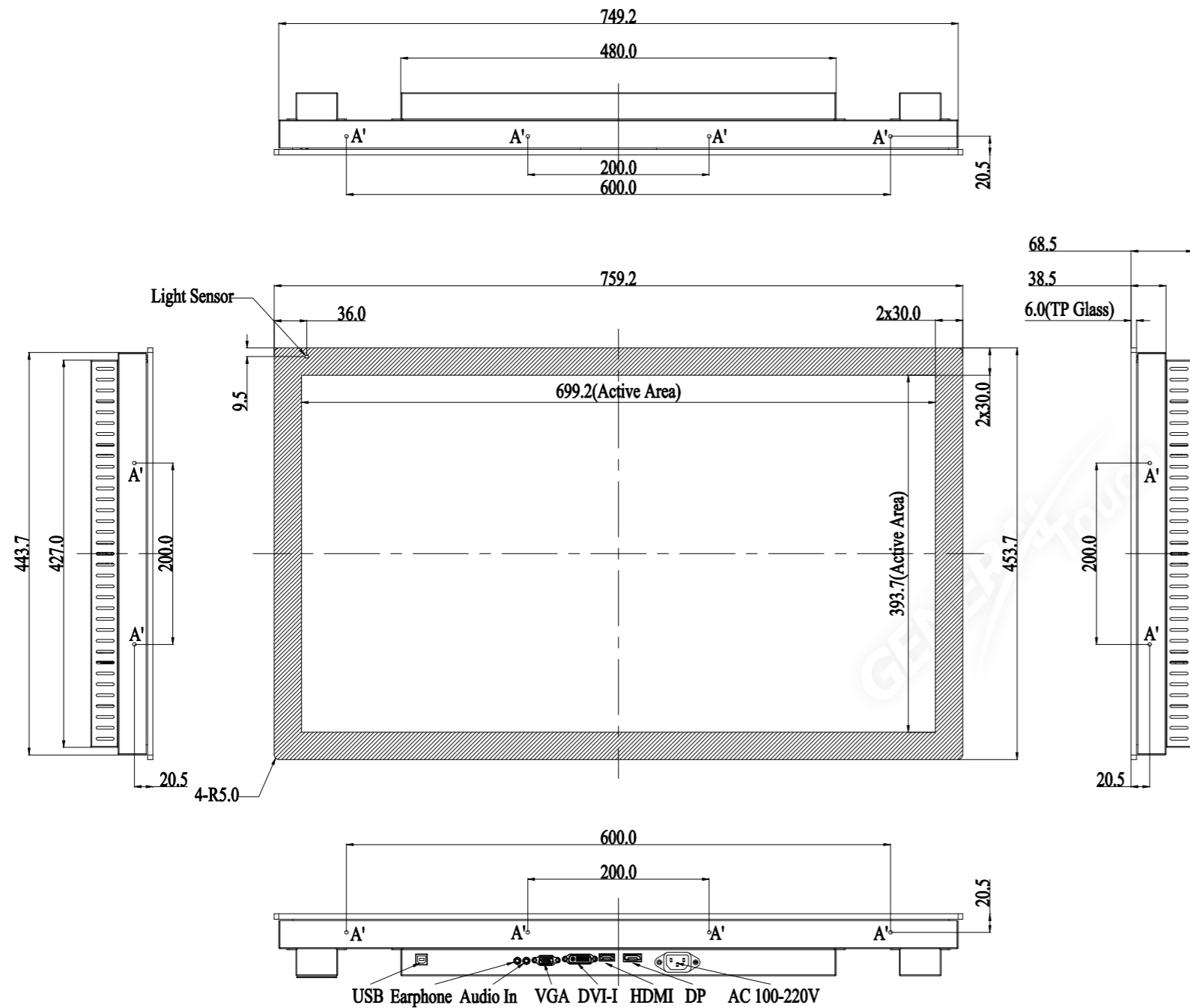


# Title: OSL323-RC80A0-UDB2L0-3.0

Mark	Revised Contents	Signature
△		



A':M4 Threads, X16 Max Screw Depth=6mm From Mounting Surface  
 B':M4 Threads, X4 Max Screw Depth=6mm From Mounting Surface

**ALL DIMENSIONS ARE IN MILLIMETERS**

<b>GENERAL Touch</b>		GeneralTouch Co., Ltd.			
Specification	External Dimensions	759.2*453.7*68.5	Anti-Glare	<input checked="" type="checkbox"/> Y <input type="checkbox"/> N	Designer: Duan Wenbin
Unit	Active Area	699.2*393.7	DustProof	<input type="checkbox"/> Y <input checked="" type="checkbox"/> N	
mm	Date	2024/02/04	Glass Thickness	6 mm	Checked By: Wang Zhenghua
Projection:	Silk Print Color		Mounting	VESA <input checked="" type="checkbox"/> Bracket <input type="checkbox"/>	
Sheet 1 of 1	Notes		Touch Technology	P-CAP <input checked="" type="checkbox"/> SAW <input type="checkbox"/> IR/PIT <input type="checkbox"/> Resistive <input type="checkbox"/> Non-Touch <input type="checkbox"/>	Approved By: Zhou Bolin
VER: 0.2	Scale: 1:1	Tolerance: ±1.5mm			