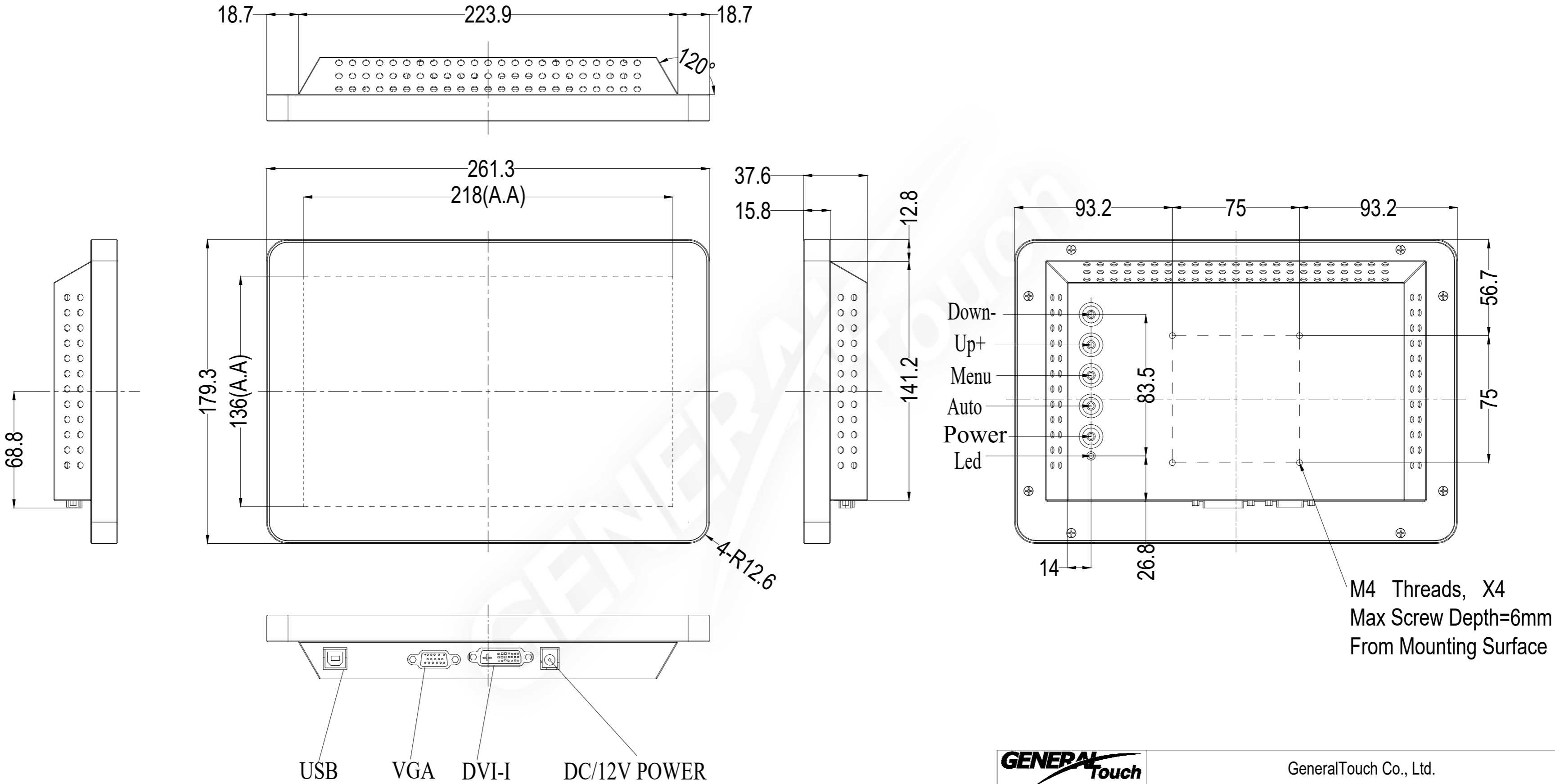


Title: OTL101-RPCZ03-UCDA

Mark	Revised Contents	Signature
△		



ALL DIMENSIONS ARE IN MILLIMETERS

GENERAL Touch		GeneralTouch Co., Ltd.			
Specification	External Dimensions	261.3*179.3*37.6	Anti-Glare	<input type="checkbox"/> Y <input checked="" type="checkbox"/> N	Designer: Han Jin
Unit	Date	2021/02/19	DustProof	<input type="checkbox"/> Y <input checked="" type="checkbox"/> N	
mm	Active Area	218*136	Glass Thickness	2 mm	Checked By: Wang Zhenghua
Projection:	Silk Print Color		Mounting	VESA <input checked="" type="checkbox"/> Bracket <input type="checkbox"/>	
Sheet 1 of 1	Notes		Touch Technology	P-CAP <input checked="" type="checkbox"/> SAW <input type="checkbox"/> IR/PIT <input type="checkbox"/> Resistive <input type="checkbox"/> Non-Touch <input type="checkbox"/>	Approved By: Zhou Bolin
VER:1.1	Scale: 1:1	Tolerance: ±1.0mm			