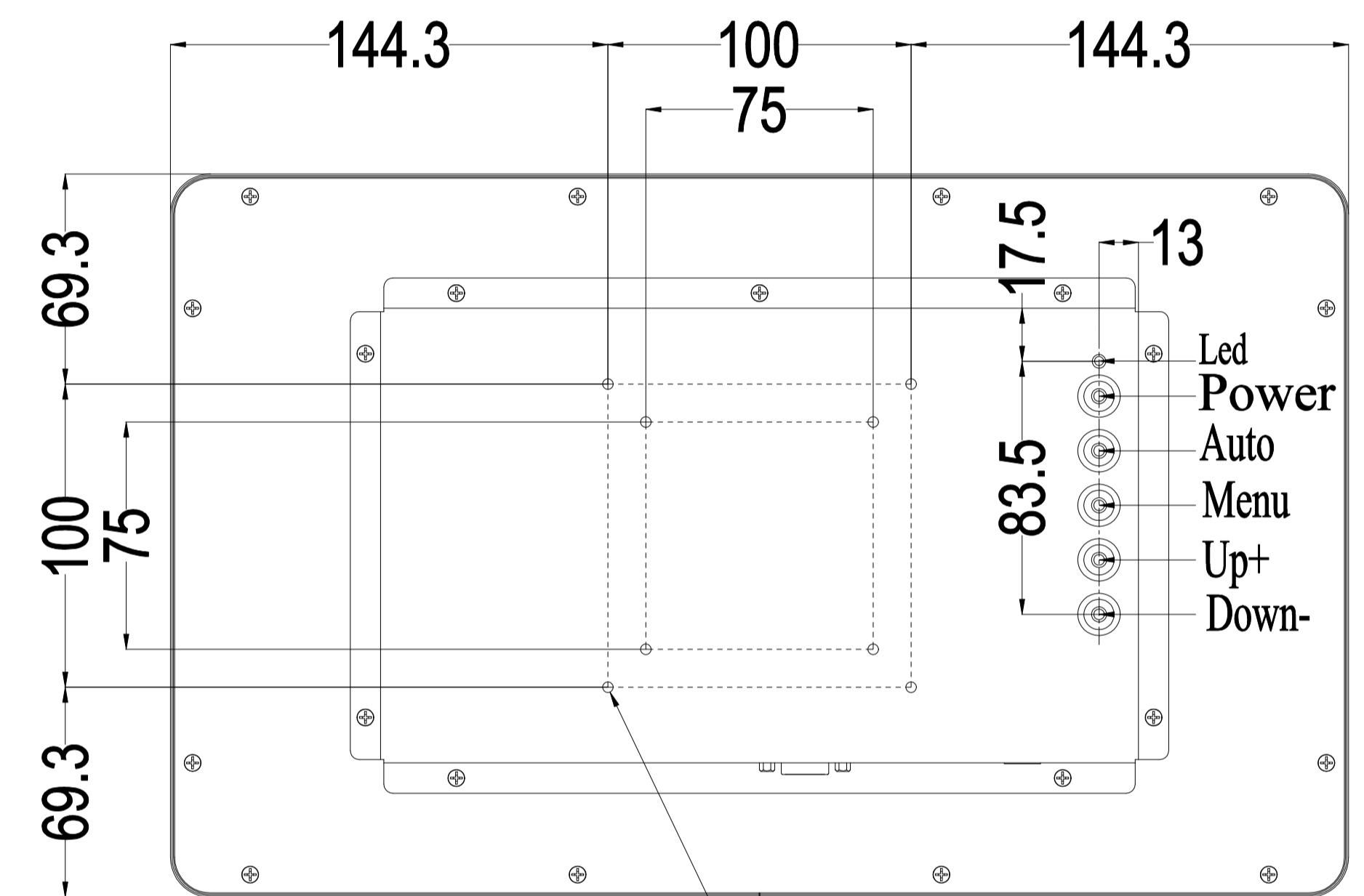
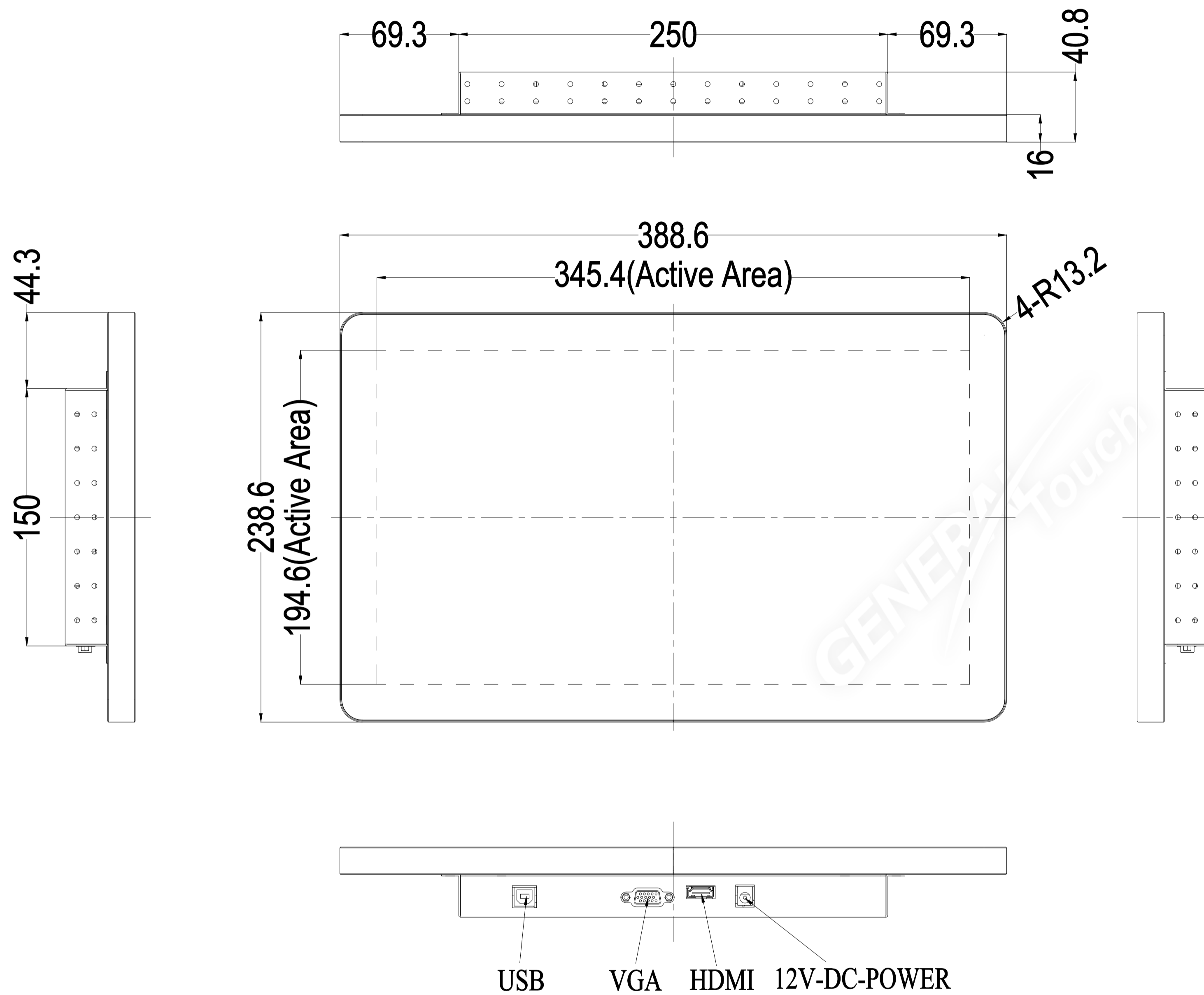


Title: OTL155-RC3C00-UH4200-1.0

Mark	Revised Contents	Signature
△		



M4 THREADS, X8
MAX SCREW DEPTH=6 mm
FROM MOUNTING SURFACE

ALL DIMENSIONS ARE IN MILLIMETERS

GENERAL Touch		GeneralTouch Co., Ltd.			
Specification	External Dimensions	388.6*238.6*40.8	Anti-Glare	Y <input type="checkbox"/> N <input checked="" type="checkbox"/>	Designer: Han Jin
Unit	Date	Active Area	DustProof	Y <input type="checkbox"/> N <input checked="" type="checkbox"/>	
mm	2023/03/15	Glass Thickness	1.1 mm		Checked By: Wang Zhenghua
Projection: 		Silk Print Color			
Sheet 1 of 1		Mounting	VESA <input checked="" type="checkbox"/>	Bracket <input type="checkbox"/>	Approved By: Zhou Bolin
VER: 0.1	Scale: 1:1	Notes			
Tolerance: ±1.0mm		Touch Technology	P-CAP <input checked="" type="checkbox"/> SAW <input type="checkbox"/>	IR/PIT <input type="checkbox"/> Resistive <input type="checkbox"/>	
			Non-Touch <input type="checkbox"/>		