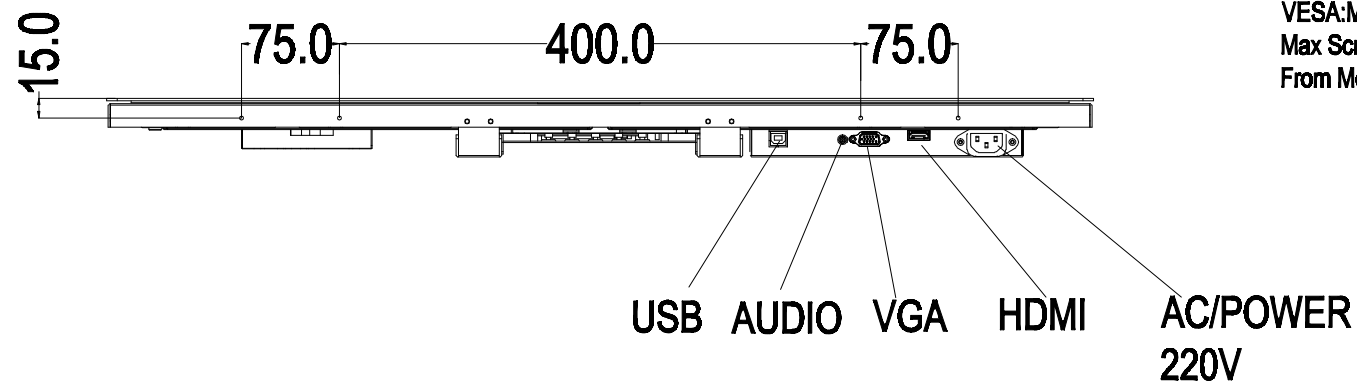
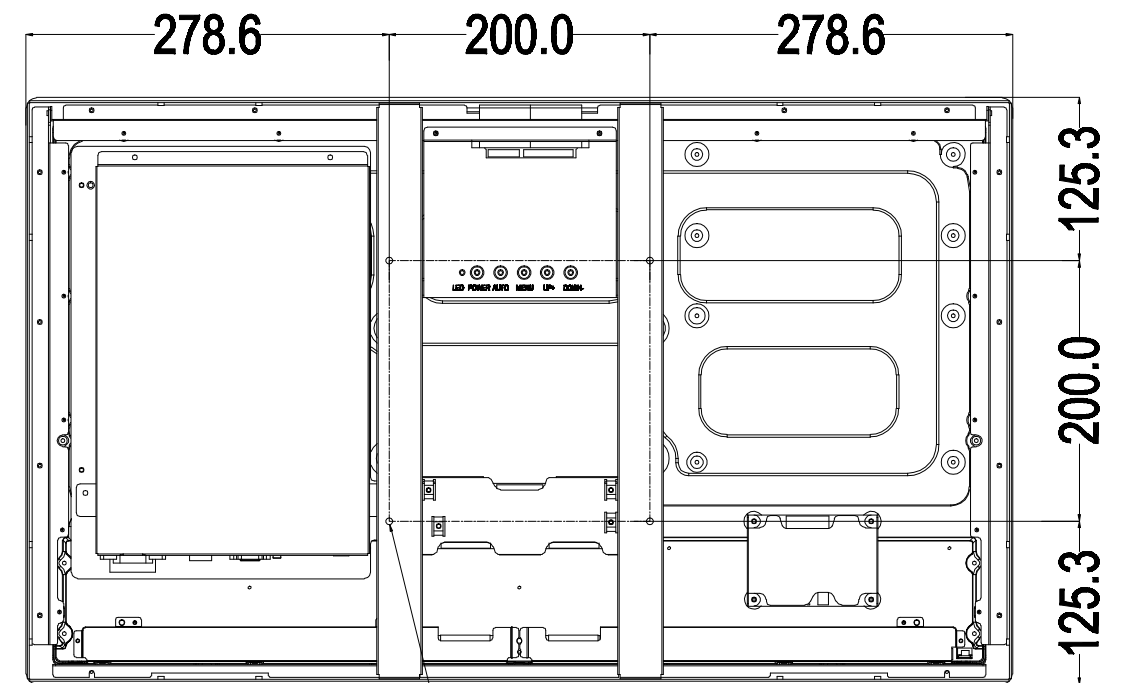
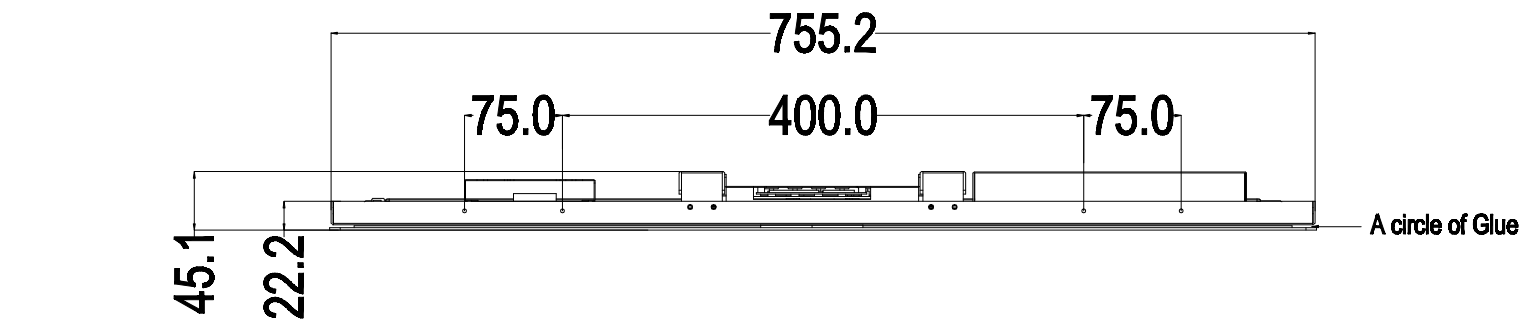


Title: OTL326-RPCZ04-UHDAGN4

| MARK | REVISED CONTENTS | DATE | SIGNATURE |
|------|------------------|------|-----------|
| ▲ | | | |



VESA:M4 Threads, X16
Max Screw Depth=10mm
From Mounting Surface

VESA:M6 Threads, X4
Max Screw Depth=10mm
From Mounting Surface

ALL DIMENSIONS ARE IN MILLIMETERS

| GENERAL Touch | | GeneralTouch Co.,Ltd. | | | |
|-------------------------|---------------------|---|------------|--|--------------|
| SPEC or MATERIAL REMARK | External Dimensions | 757.1*450.6*45.1 | Anti-Glare | Y <input type="checkbox"/> N <input checked="" type="checkbox"/> | DESIGNER: |
| UNIT | Active Area | 698.4*392.9 | DustPro | Y <input type="checkbox"/> N <input checked="" type="checkbox"/> | TianGuoLiang |
| mm | Glass Thickness | 2mm | | | CHECKED: |
| Projection: | Silk Print Color | Black | | | WangZhengHua |
| | Mounting | Vesa <input checked="" type="checkbox"/> Bracket <input type="checkbox"/> | | | |
| SHEET 1 OF 1 | NOTES | | | | |
| RVE: 0.3 | SCALE: 1:1 | TOUCH TECHNOLOGY | P-CAP | <input checked="" type="checkbox"/> SAW | APPROVED: |
| Tolerance: ±1.5mm | | | IR/PIT | RESISTIVE | ZhouboLin |
| | | | Non-Touch | | |