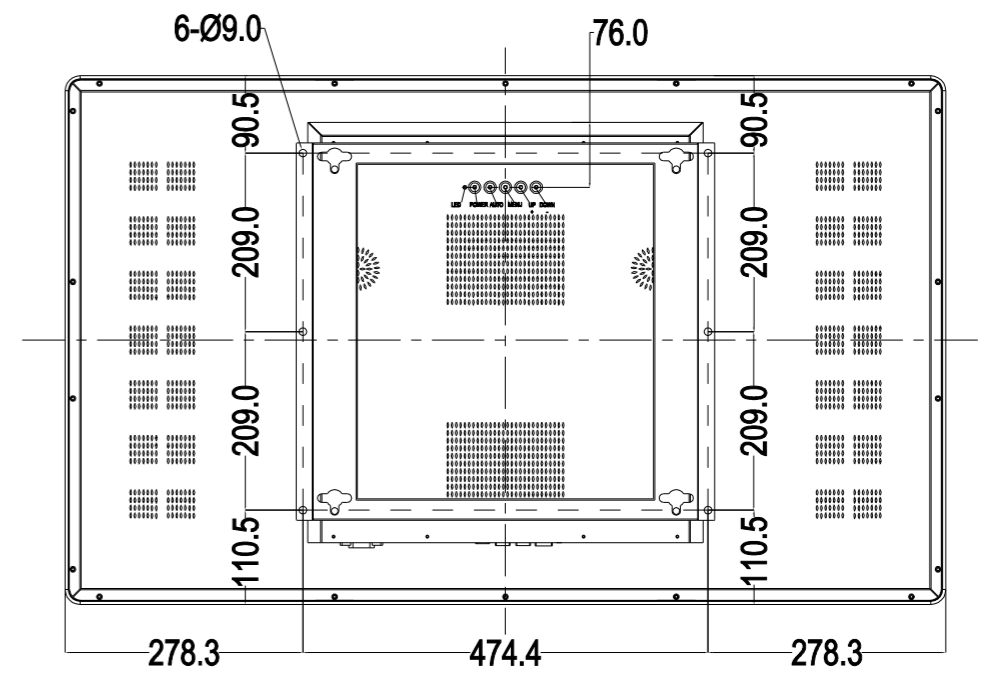
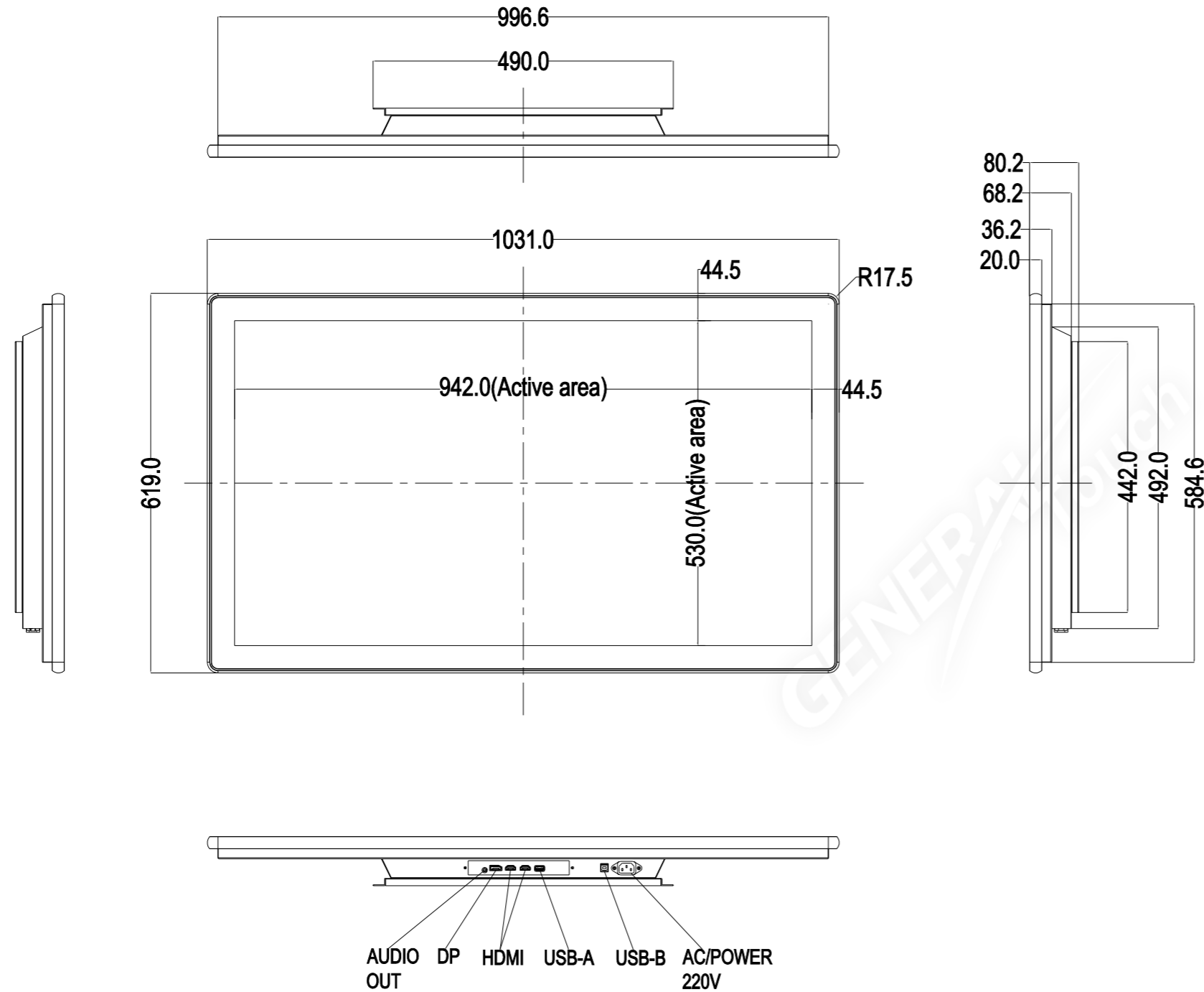


# TITLE: OTL435-RC5000-UD5U00-2.0

MARK	REVISED CONTENTS	DATE	SIGNATURE
△			

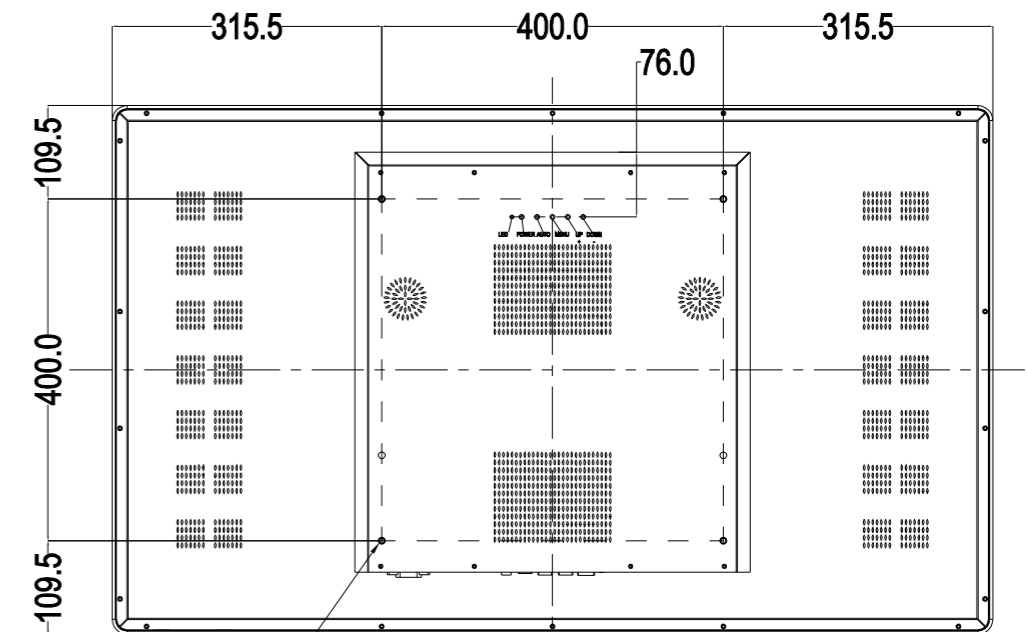
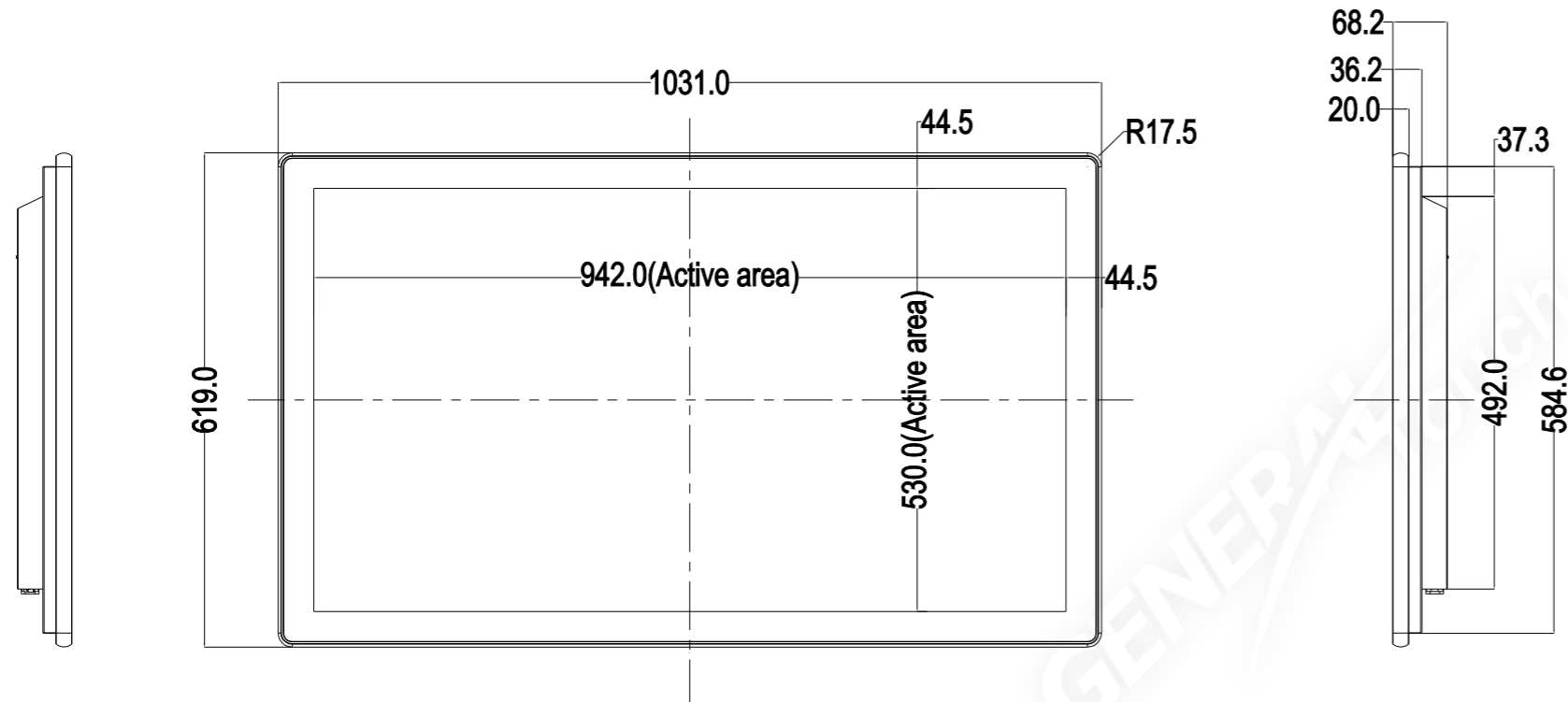
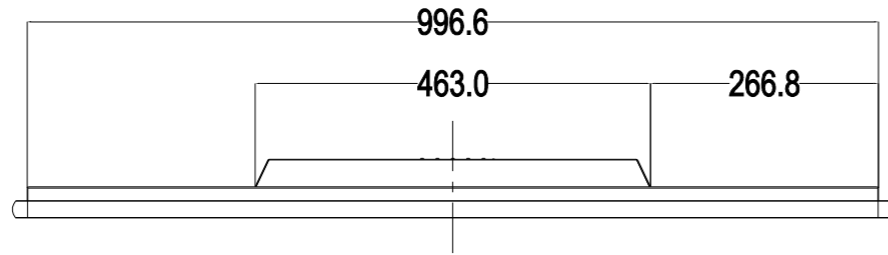


ALL DIMENSIONS ARE IN MILLIMETERS

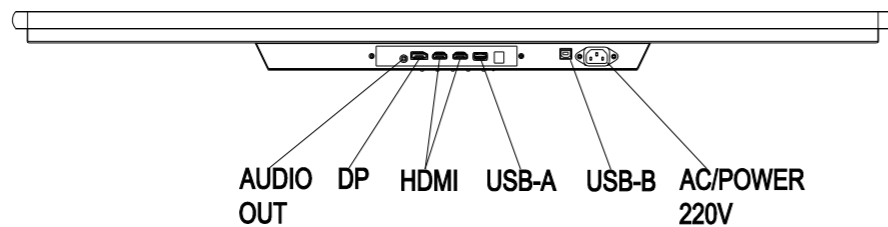
GENERAL Touch		GeneralTouch Co.,Ltd.			
SPEC or MATERIAL REMARK	External Dimensions	1031.0*619.0*80.2	Anti-Glare	Y <input type="checkbox"/> N <input checked="" type="checkbox"/>	DESIGNER:
UNIT	Active Area	942.0*530.0	DustPro	Y <input type="checkbox"/> N <input checked="" type="checkbox"/>	WangChao
mm	Glass Thickness	3mm			
Projection:	Silk Print Color	Black			
	Mounting	Vesa <input type="checkbox"/> Bracket <input checked="" type="checkbox"/>			CHECKED:
SHEET 1 OF 3	NOTES				WangZhengHua
RVE: 0.2	SCALE: 1:1	TOUCH TECHNOLOGY	P-CAP	√	SAW
Tolerance: ±1.5mm			IR/PIT		RESISTIVE
			Non-Touch		
					APPROVED:
					ZhouboLin

# TITLE: OTL435-RC5000-UD5U00-2.0

MARK	REVISED CONTENTS	DATE	SIGNATURE
△			



VESA:M8 Threads, X4  
Max Screw Depth=16mm  
From Mounting Surface

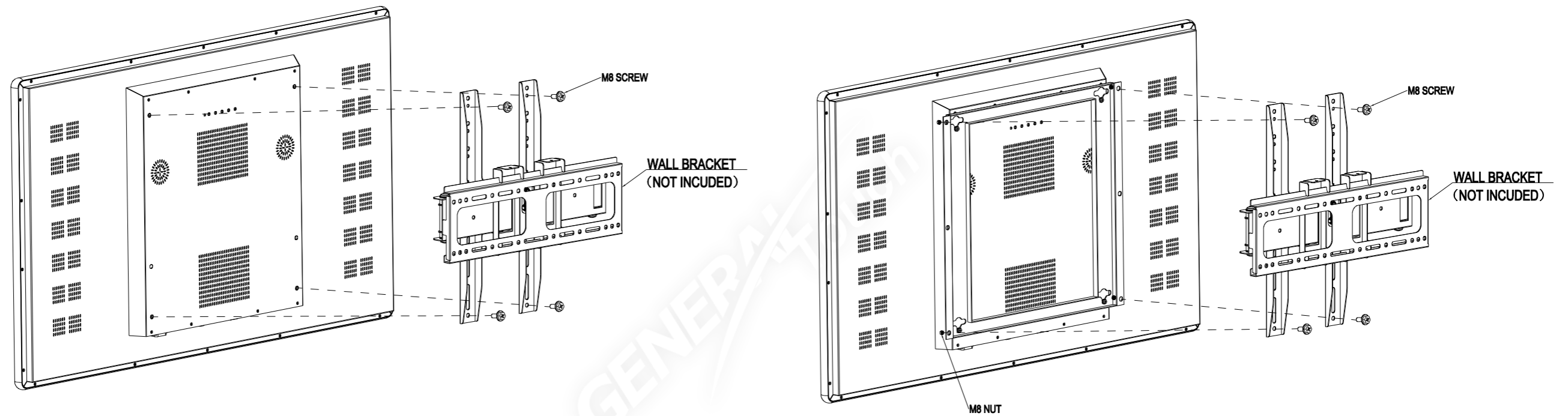


ALL DIMENSIONS ARE IN MILLIMETERS

GENERAL Touch		GeneralTouch Co.,Ltd.			
SPEC or MATERIAL REMARK	External Dimensions	1031.0*619.0*80.2	Anti-Glare	Y <input type="checkbox"/> N <input checked="" type="checkbox"/>	DESIGNER:
UNIT	Active Area	942.0*530.0	DustPro	Y <input type="checkbox"/> N <input checked="" type="checkbox"/>	WangChao
mm	Glass Thickness	3mm			
Projection:	Silk Print Color	Black			
	Mounting	Vesa <input type="checkbox"/> Bracket <input checked="" type="checkbox"/>			CHECKED: WangZhengHua
SHEET 2 OF 3	NOTES				
RVE: 0.2	SCALE: 1:1	TOUCH TECHNOLOGY	P-CAP	√	SAW
Tolerance: ±1.5mm			IR/PIT		RESISTIVE
			Non-Touch		
					APPROVED: ZhouboLin

# TITLE: OTL435-RC5000-UD5U00-2.0

MARK	REVISED CONTENTS	DATE	SIGNATURE
△			



ALL DIMENSIONS ARE IN MILLIMETERS

GENERAL Touch		GeneralTouch Co.,Ltd.			
SPEC or MATERIAL REMARK	External Dimensions	1031.0*619.0*80.2	Anti-Glare	Y <input type="checkbox"/> N <input checked="" type="checkbox"/>	DESIGNER:
UNIT	DATE	Active Area	DustPro	Y <input type="checkbox"/> N <input checked="" type="checkbox"/>	WangChao
mm	2023/08/31	Glass Thickness			
Projection:		Silk Print Color			
		Mounting	Vesa <input type="checkbox"/> Bracket <input checked="" type="checkbox"/>		CHECKED:
SHEET 3 OF 3		NOTES			WangZhengHua
RVE: 0.2	SCALE: 1:1	TOUCH TECHNOLOGY	P-CAP	√ SAW	APPROVED:
Tolerance: ±1.5mm			IR/PIT	RESISTIVE	ZhouboLin
			Non-Touch		