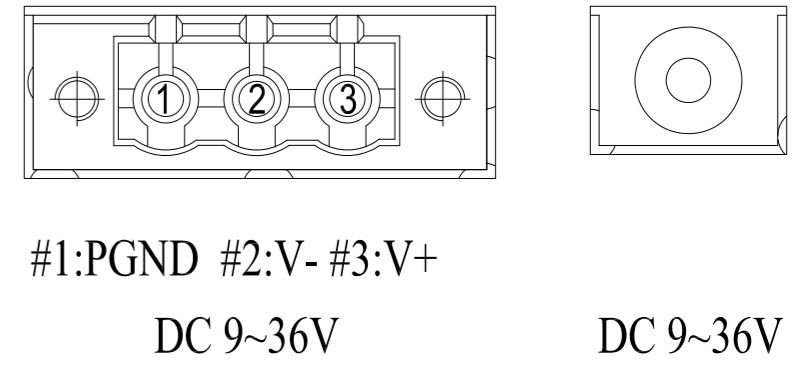
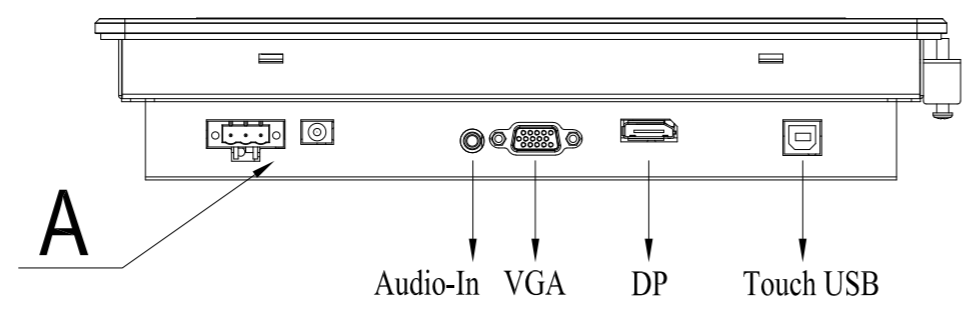
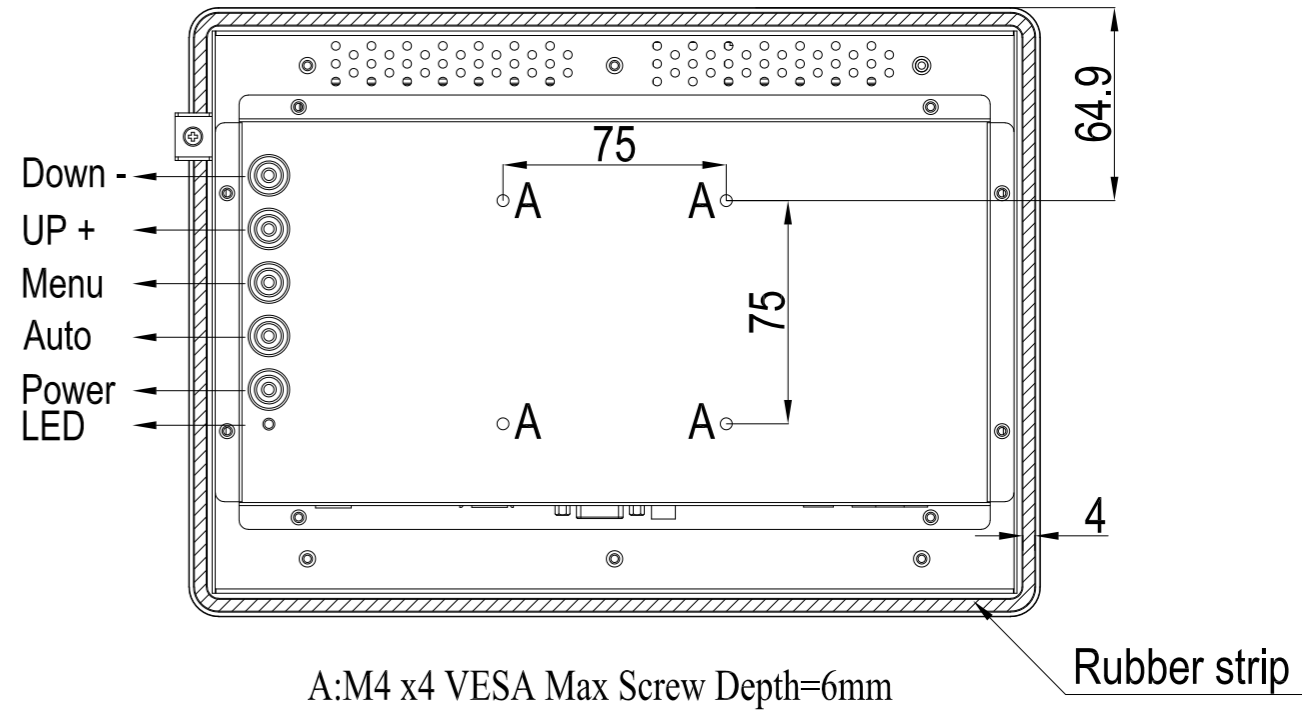
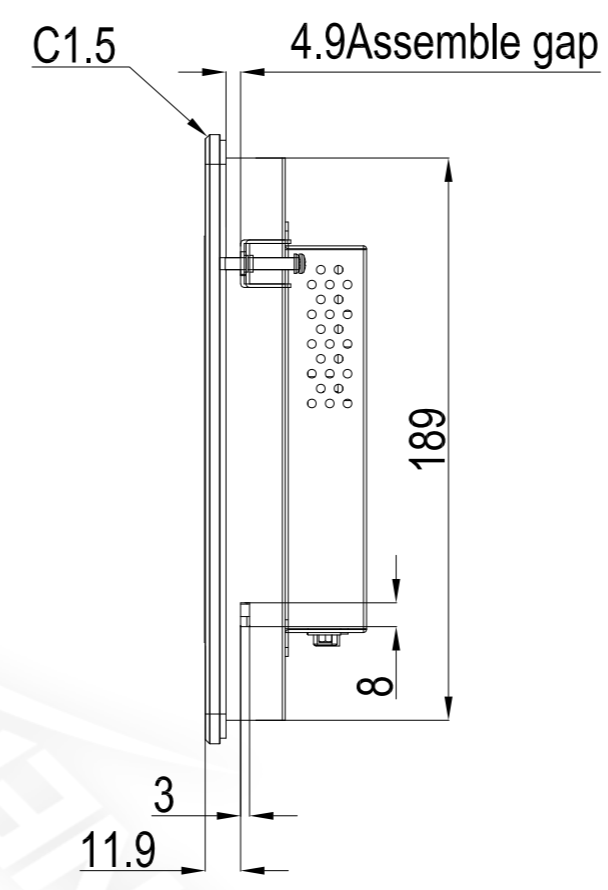
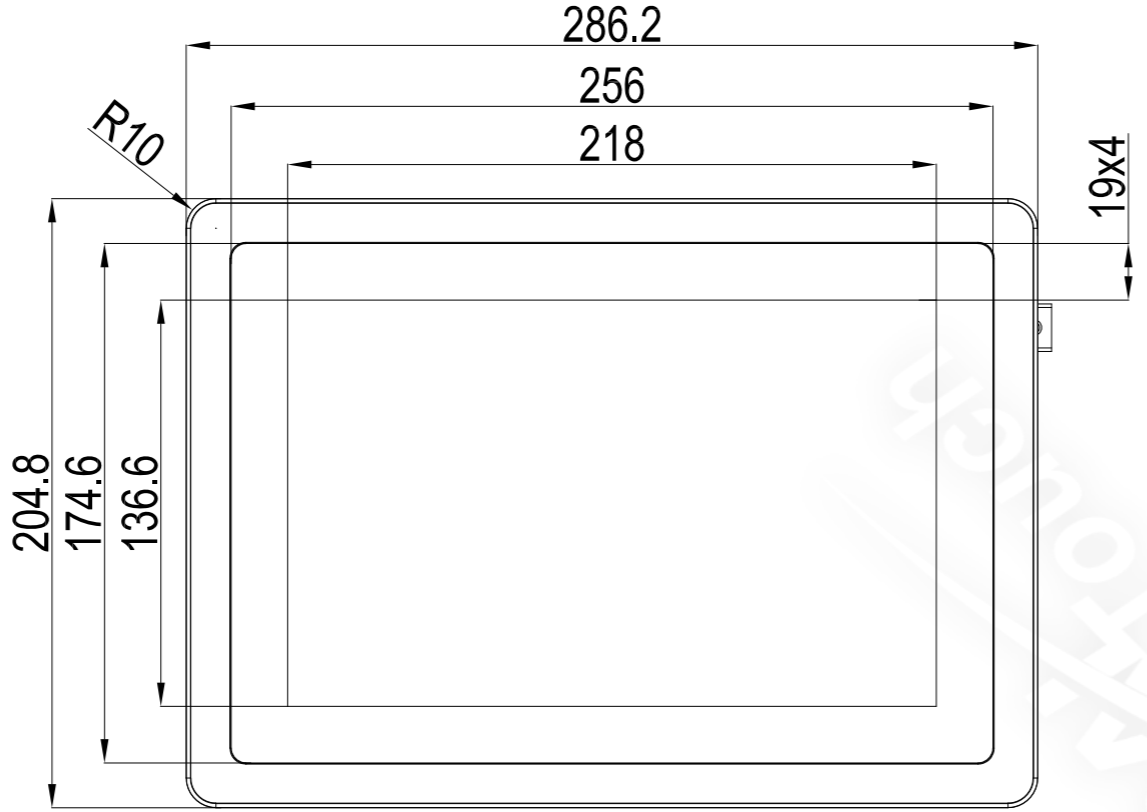
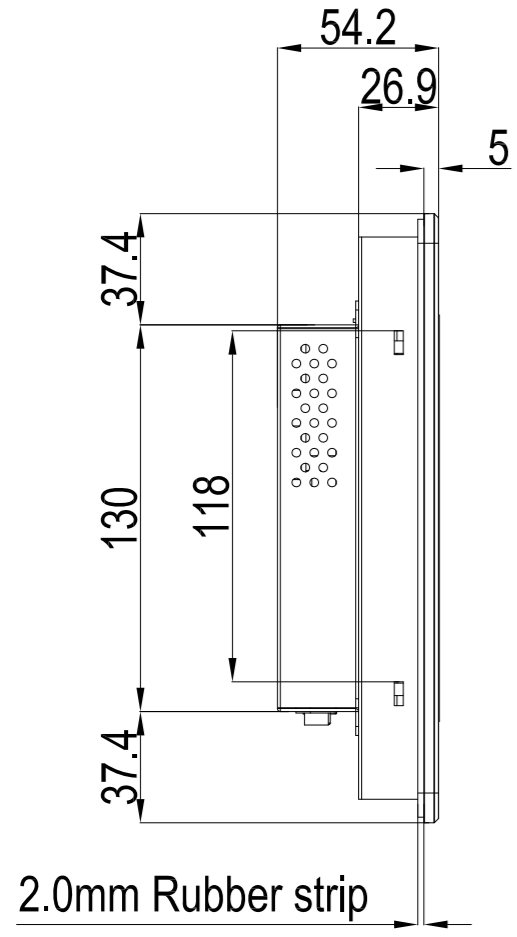
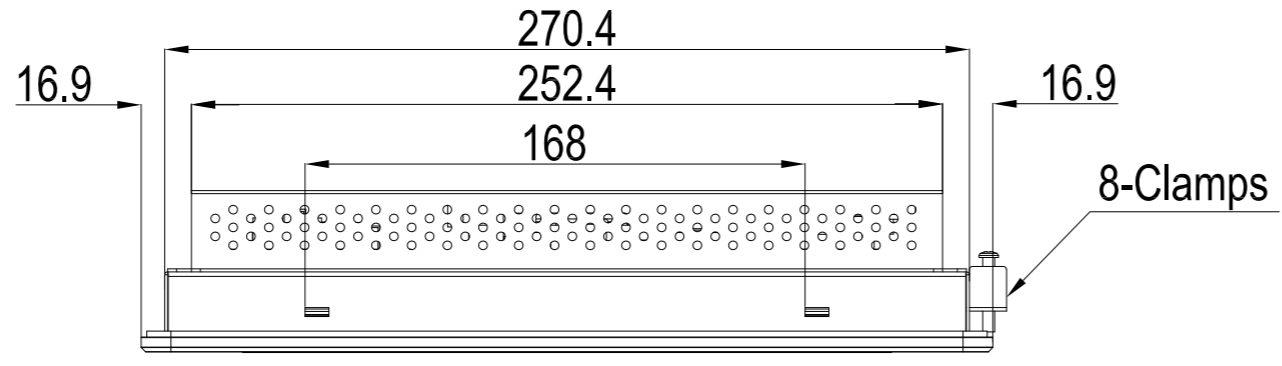


TITLE: PTL103-RC4W00-UP4A00-1.0

MARK	REVISED CONTENTS	DATE	SIGNATURE



Detail A
6:1

ALL DIMENSIONS ARE IN MILLIMETERS

GENERAL Touch		GeneralTouch Co.,Ltd.			
SPEC or MATERIAL REMARK		External Dimensions	286.2*204.8*54.2	Anti-Glare	Y <input type="checkbox"/> N <input checked="" type="checkbox"/>
UNIT	DATE	Active Area	216.96*135.6	DustPro	Y <input checked="" type="checkbox"/> N <input type="checkbox"/>
mm	2024/03/22	Glass Thickness	2mm		
Projection:		Silk Print Color	Black		
		Mounting	Vesa <input checked="" type="checkbox"/> Bracket <input type="checkbox"/>		CHECKED: Yang Li
SHEET 1 OF 1		NOTES			
RVE: 0.1	SCALE: Free	TOUCH TECHNOLOGY	P-CAP	<input checked="" type="checkbox"/>	SAW
Tolerance: ±1.0mm			IR/PIT		RESISTIVE
			Non-Touch		
					APPROVED: Haiwei Tang