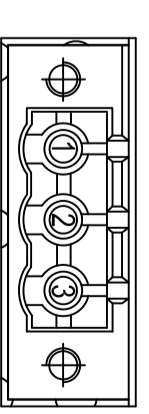
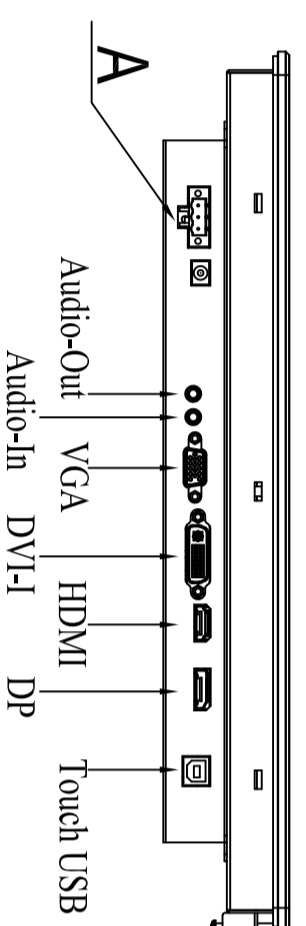
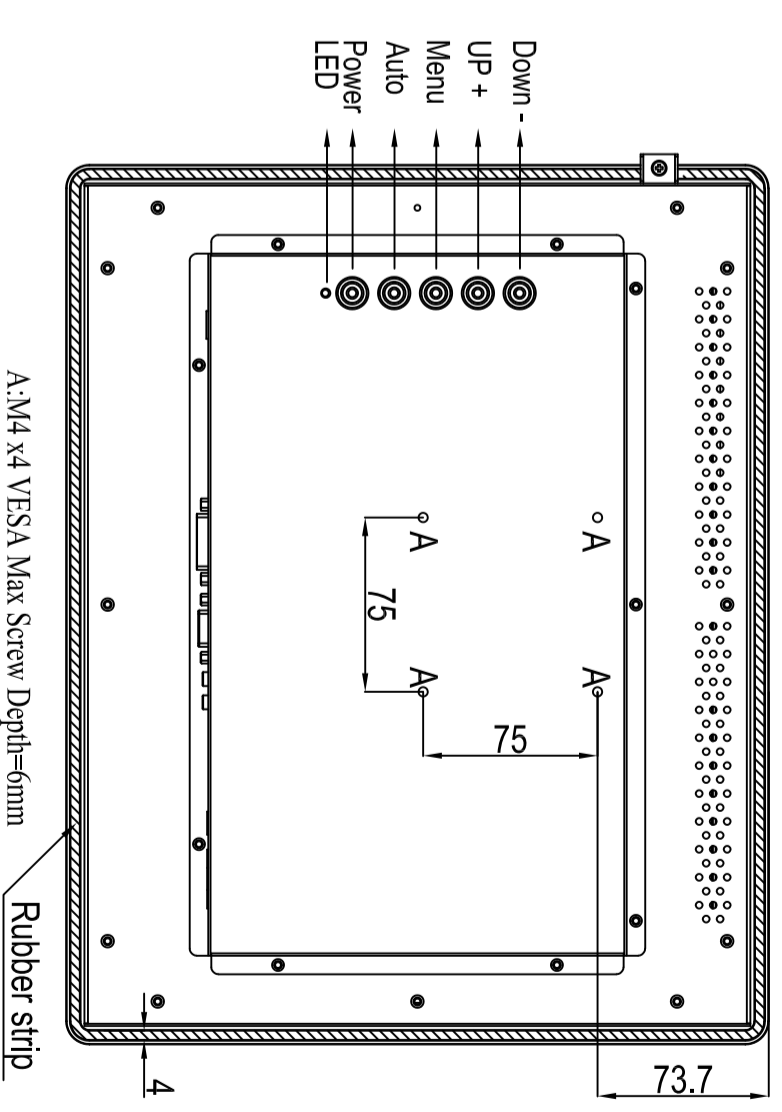
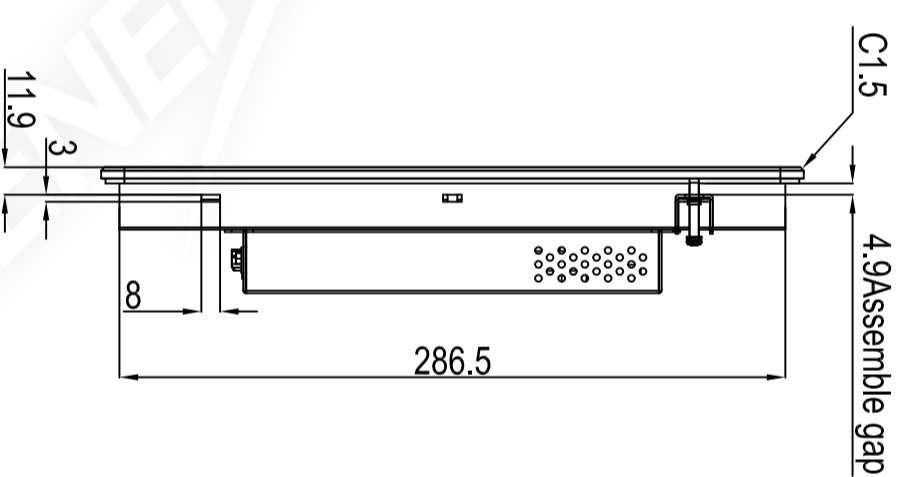
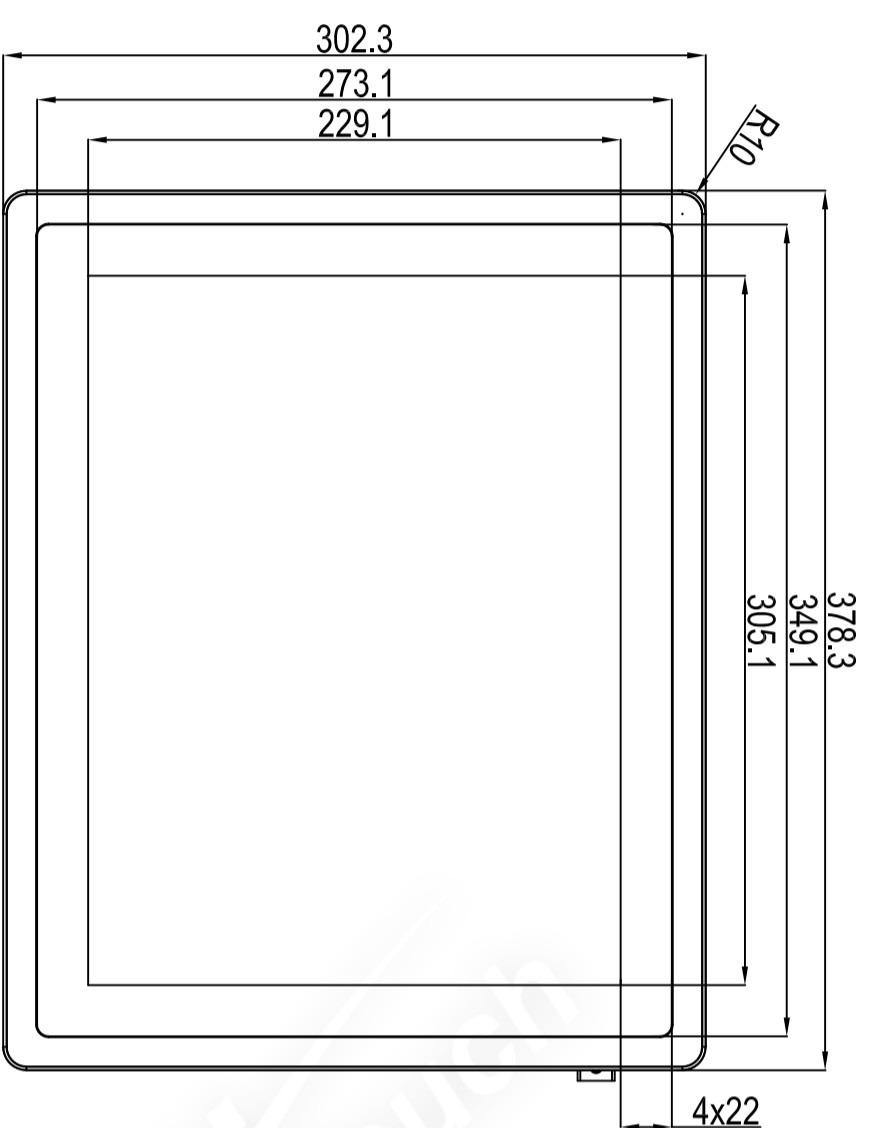
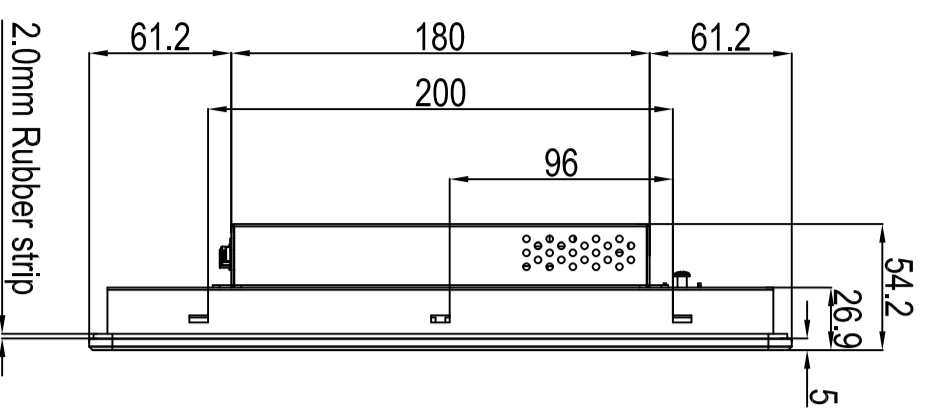
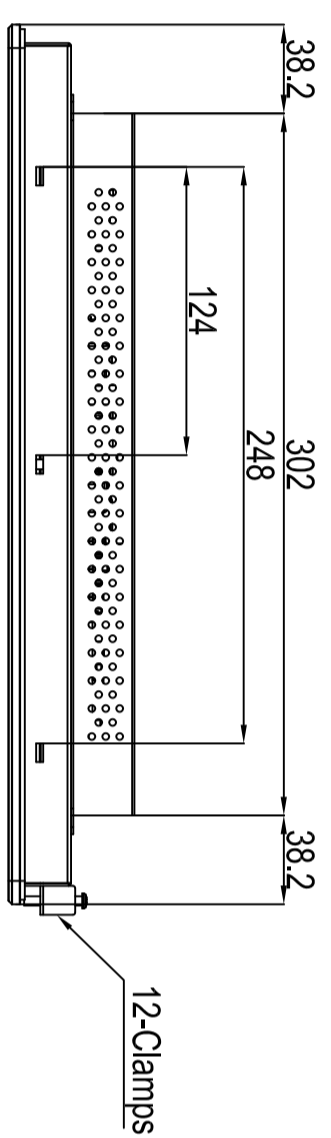


TITLE: PTL15S-RC4W00-UD3A00-1.0

MARK	REVISED CONTENTS	DATE	SIGNATURE



#1:PGND #2:V- #3:V+
 DC 9-36V
 Detail A
 6:1
 DC 9-36V



General Touch Co., Ltd.

SPEC or MATERIAL REMARK		External Dimensions		378.3*302.3*54.2	Anti-Glare	Y <input type="checkbox"/>	N <input type="checkbox"/>	DESIGNER:
UNIT	DATE	Active Area	304.1*228.1	DustPro	Y <input type="checkbox"/>	N <input type="checkbox"/>	Jiawei Xiong	
mm	2024/03/22	Glass Thickness	2mm					
Projection:		Silk Print Color	Black					
MOUNTING		Vesa <input checked="" type="checkbox"/>	Bracket <input type="checkbox"/>				CHECKED:	
SHEET 1 OF 1		NOTES					Yang Li	
RVE: 0.1	SCALE: Free	TOUCH TECHNOLOGY		P-CAP	<input checked="" type="checkbox"/>	SAW	APPROVED:	
Tolerance: ±1.5mm		Non-Touch		IR/PT	<input type="checkbox"/>	RESISTIVE	Haiwei Tang	

ALL DIMENSIONS ARE IN MILLIMETERS