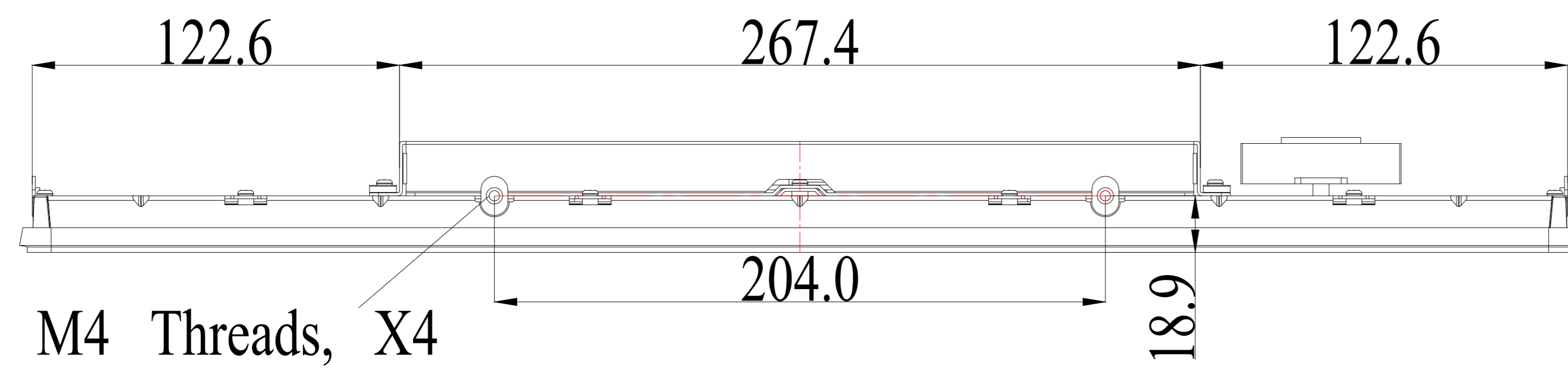
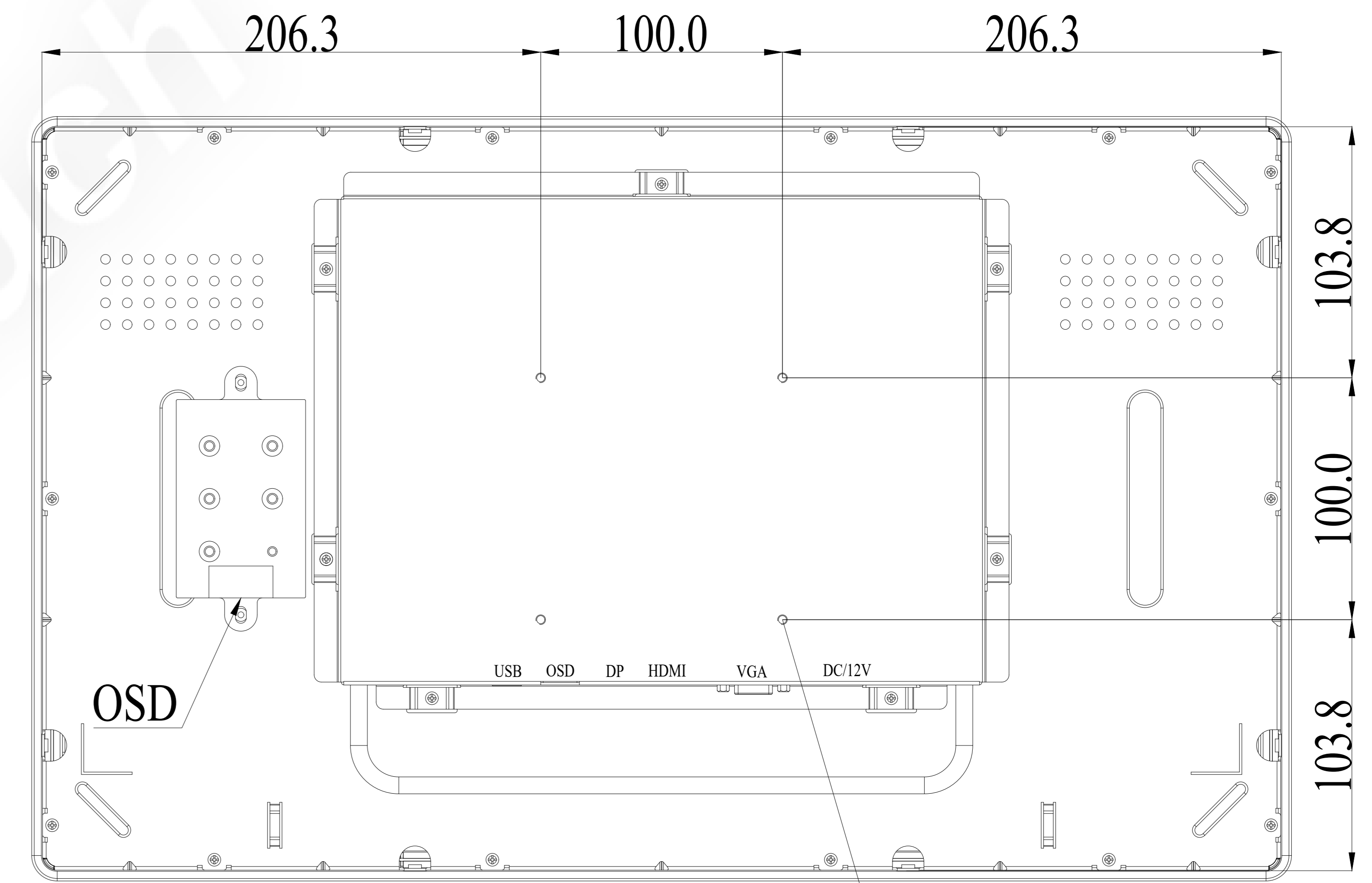
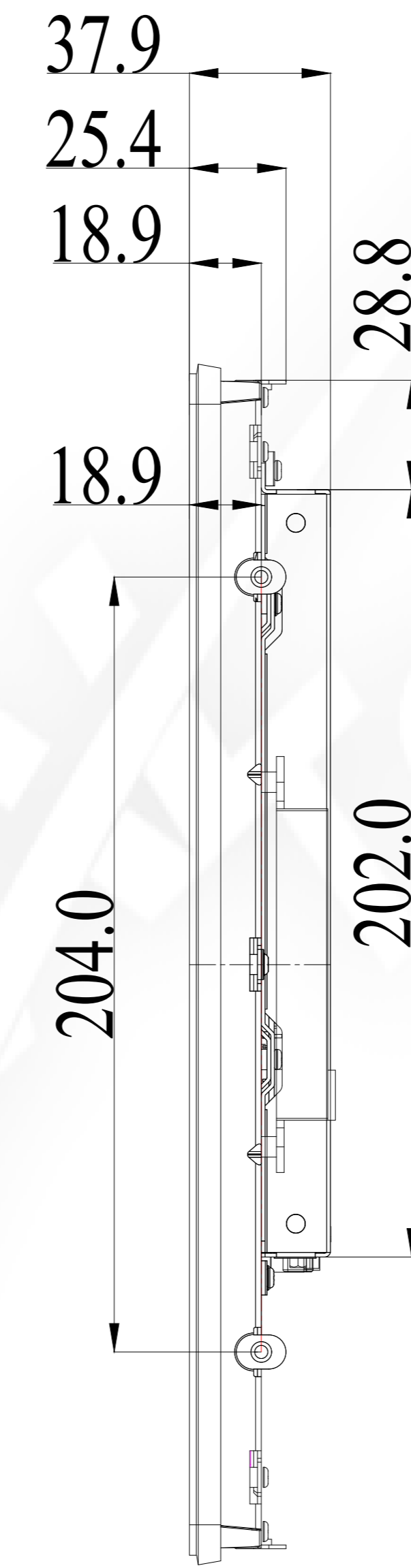
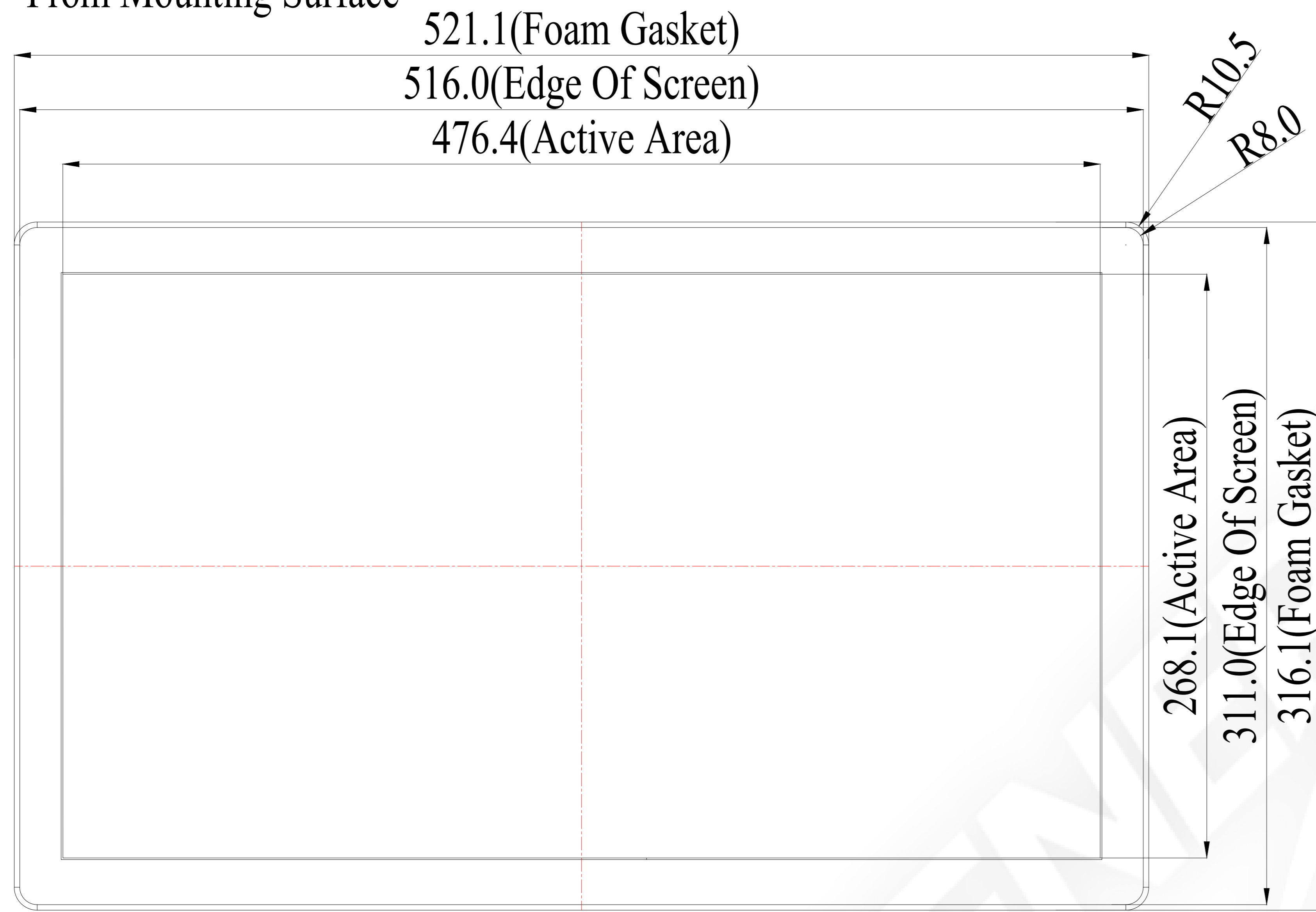
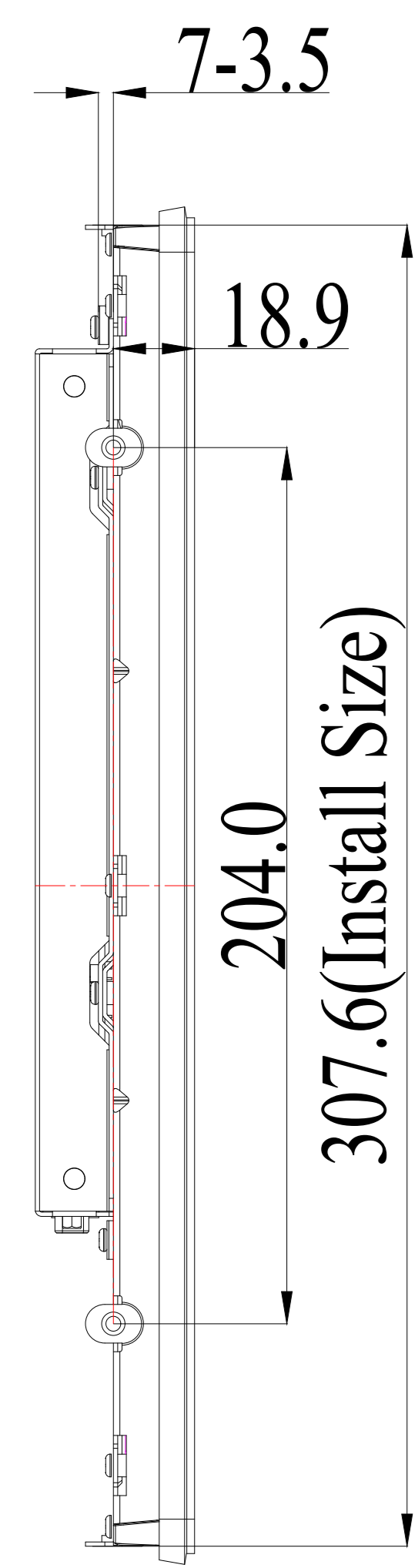


Title: RBL226-LC4000-UD2F00-1.0

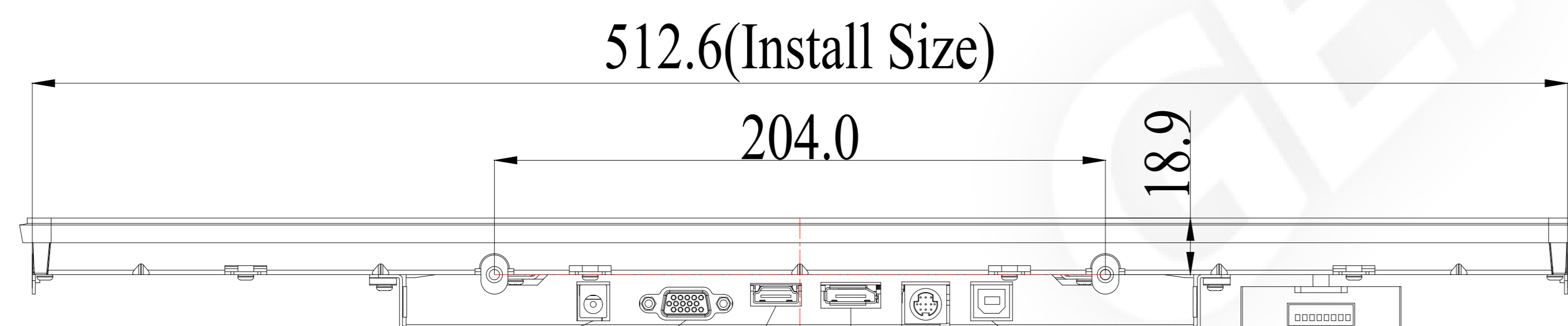
Mark	Revised Contents	Signature



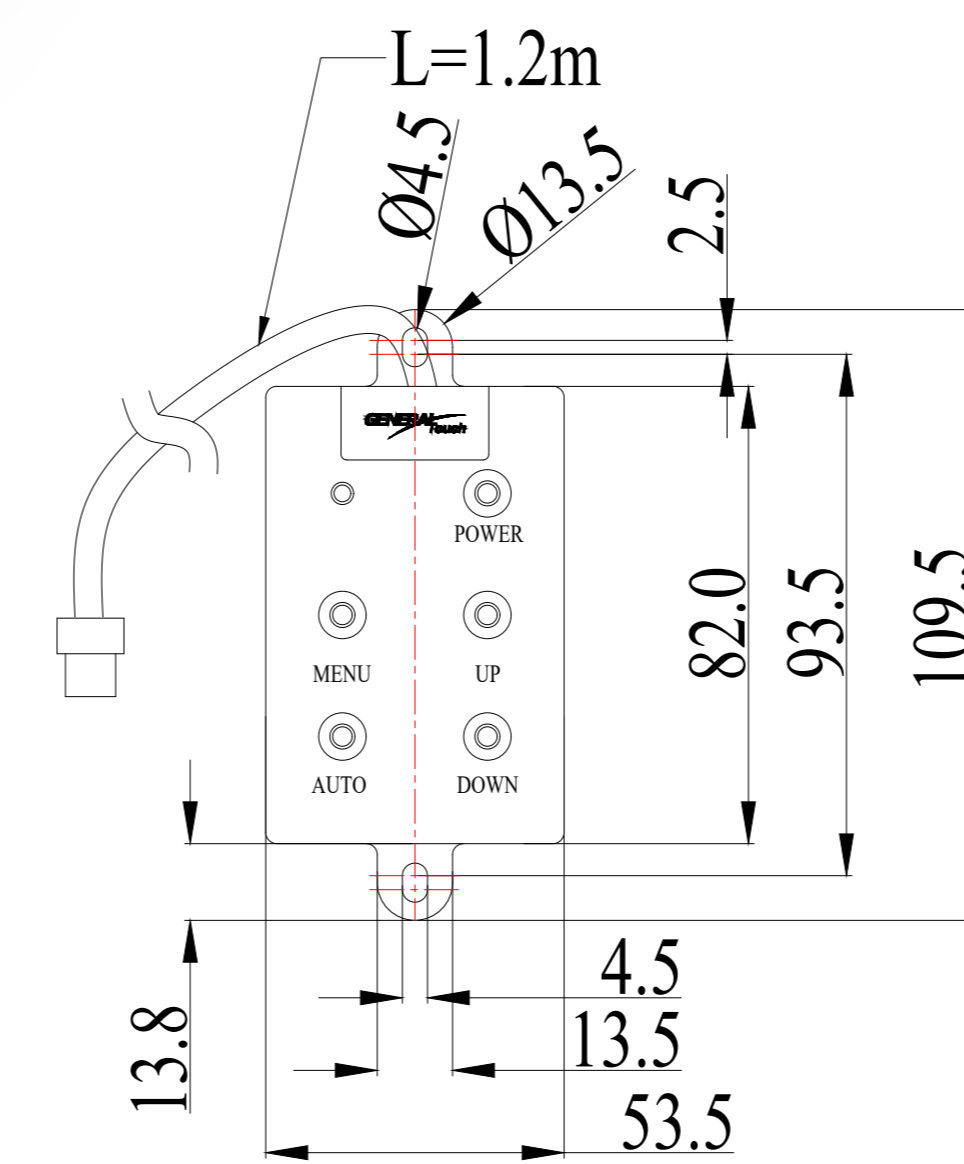
M4 Threads, X4
Max Screw Depth=6mm
From Mounting Surface



VESA:M4 Threads, X4
Max Screw Depth=6mm
From Mounting Surface



DC/12V POWER
VGA
HDMI
DP
OSD
USB



OSD (max thickness =15.5mm)

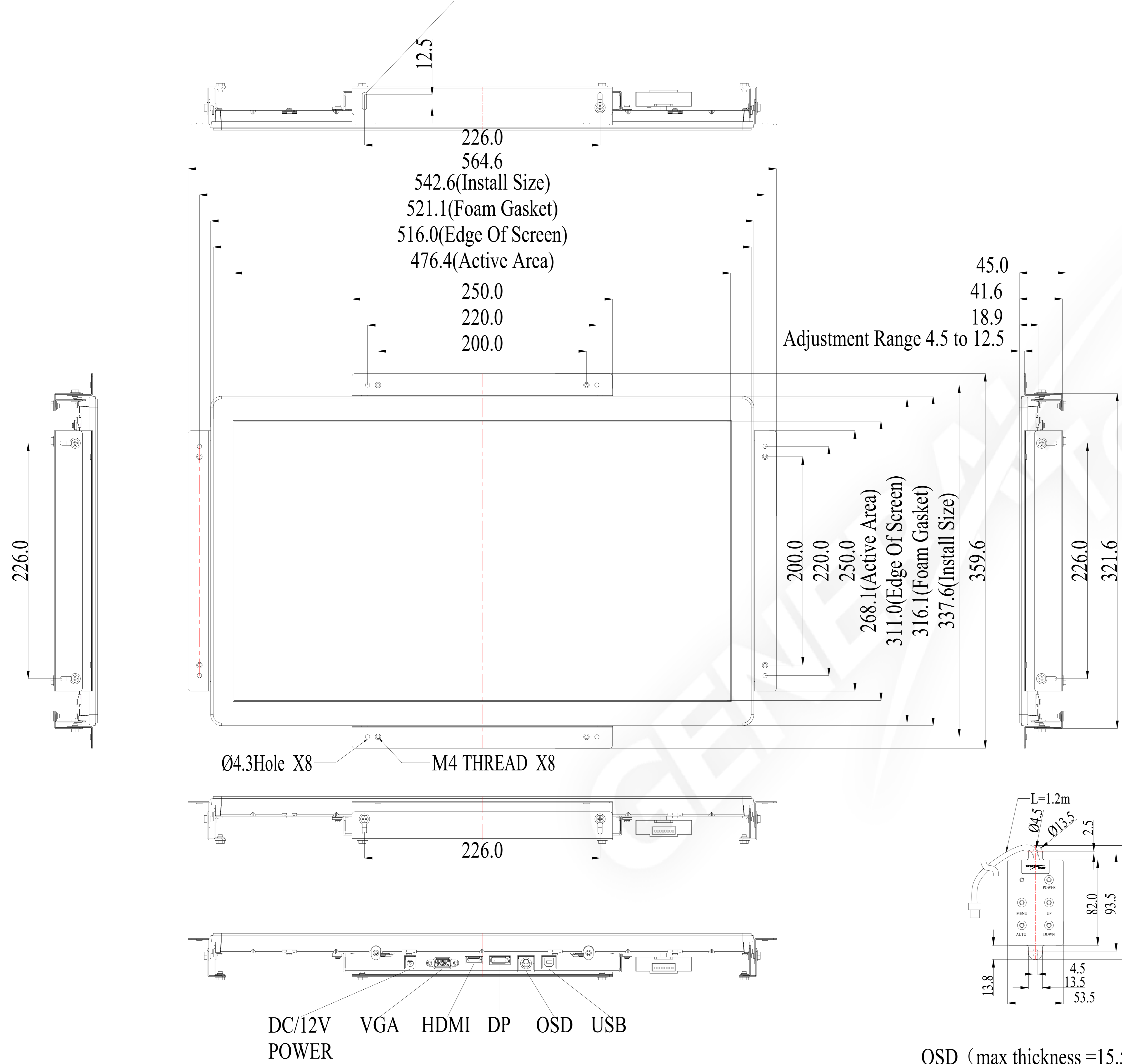
ALL DIMENSIONS ARE IN MILLIMETERS

GENERAL Touch		GeneralTouch Co.,Ltd.			
Specification	External Dimensions	521.1*316.1*37.1	Anti-Glare	Y <input type="checkbox"/> N <input checked="" type="checkbox"/>	Designer: ZhouRui
Unit	Date	Active Area	DustPro	Y <input type="checkbox"/> N <input checked="" type="checkbox"/>	
mm	2020/11/19	Glass Thickness			Checked: WangZhengHua
Projection:		Silk Print Color	Black		
Sheet 3 OF 1		Mounting	Vesa <input checked="" type="checkbox"/> Bracket <input checked="" type="checkbox"/>		Approved: ZhouBoLin
RVE: 0.1		Notes			
Scale: 1:1		TOUCH TECHNOLOGY	P-CAP	<input checked="" type="checkbox"/> SAW	
Tolerance: ±1.0mm			IR/PIT	RESISTIVE	
			Non-Touch		

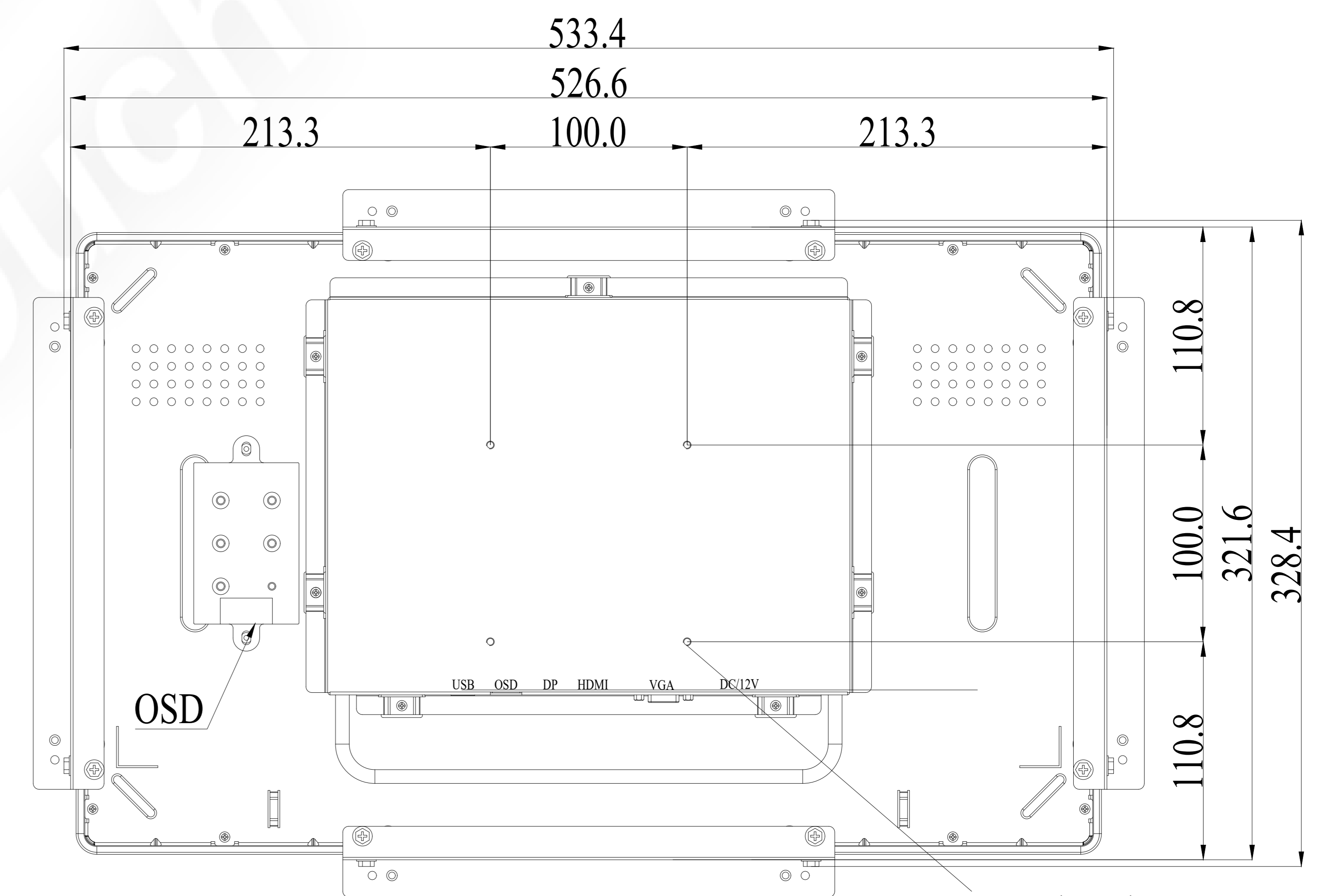
Title: RBL226-LC4000-UD2F00-1.0

Mark	Revised Contents	Signature

Mounting Bracket Adjustment
Range 12.5mm (X4 Places)



Adjustment Range 4.5 to 12.5



VESA:M4 Threads, X4
Max Screw Depth=6mm
From Mounting Surface

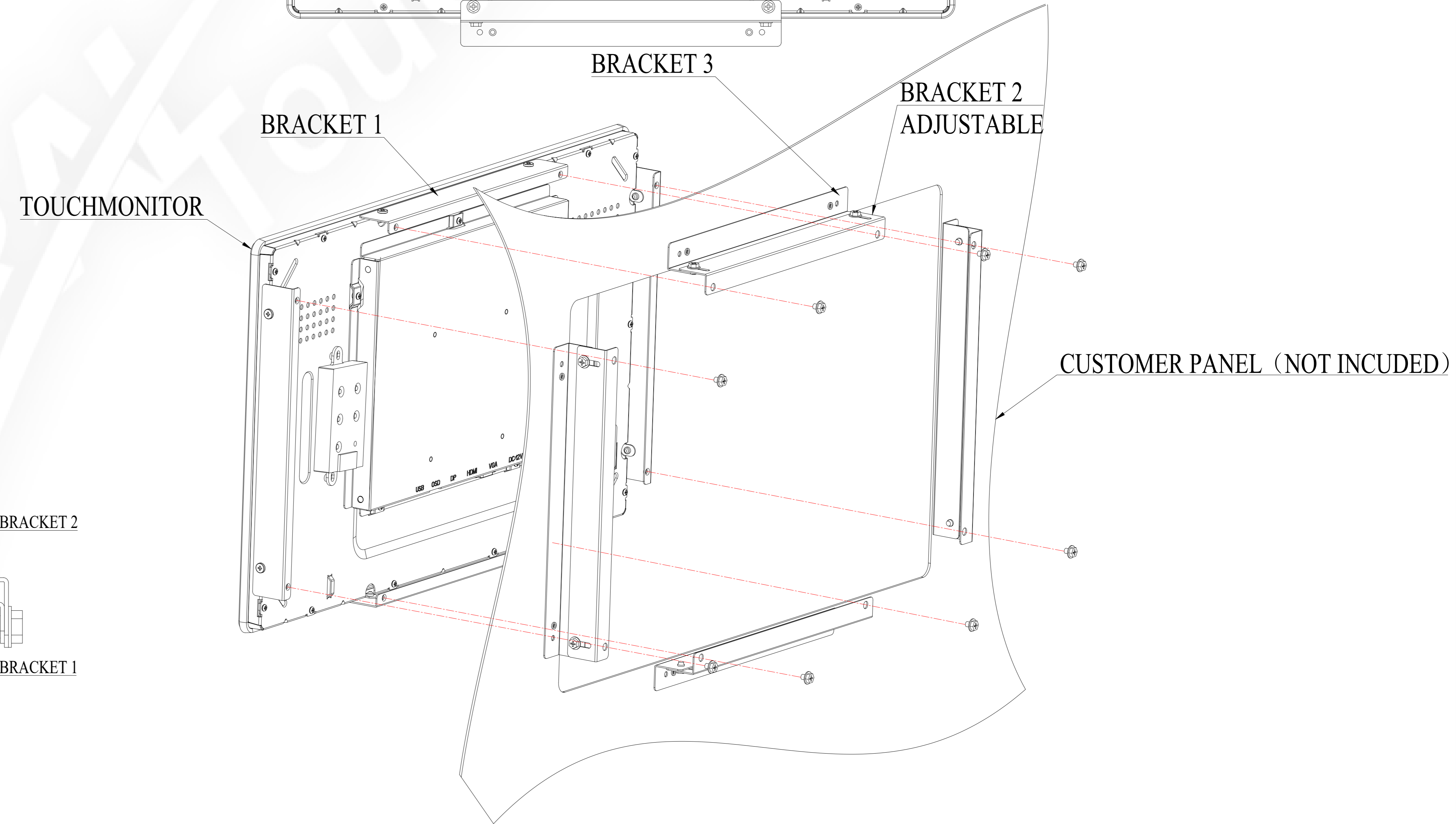
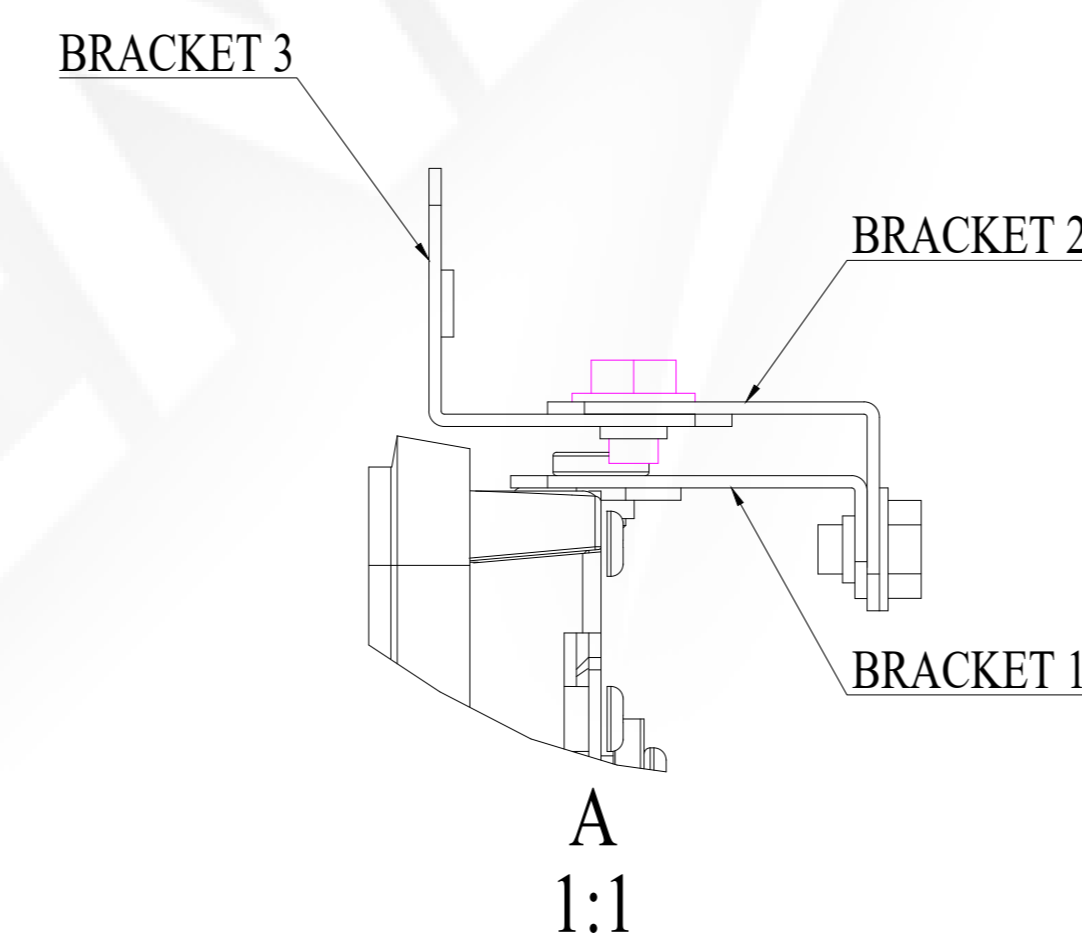
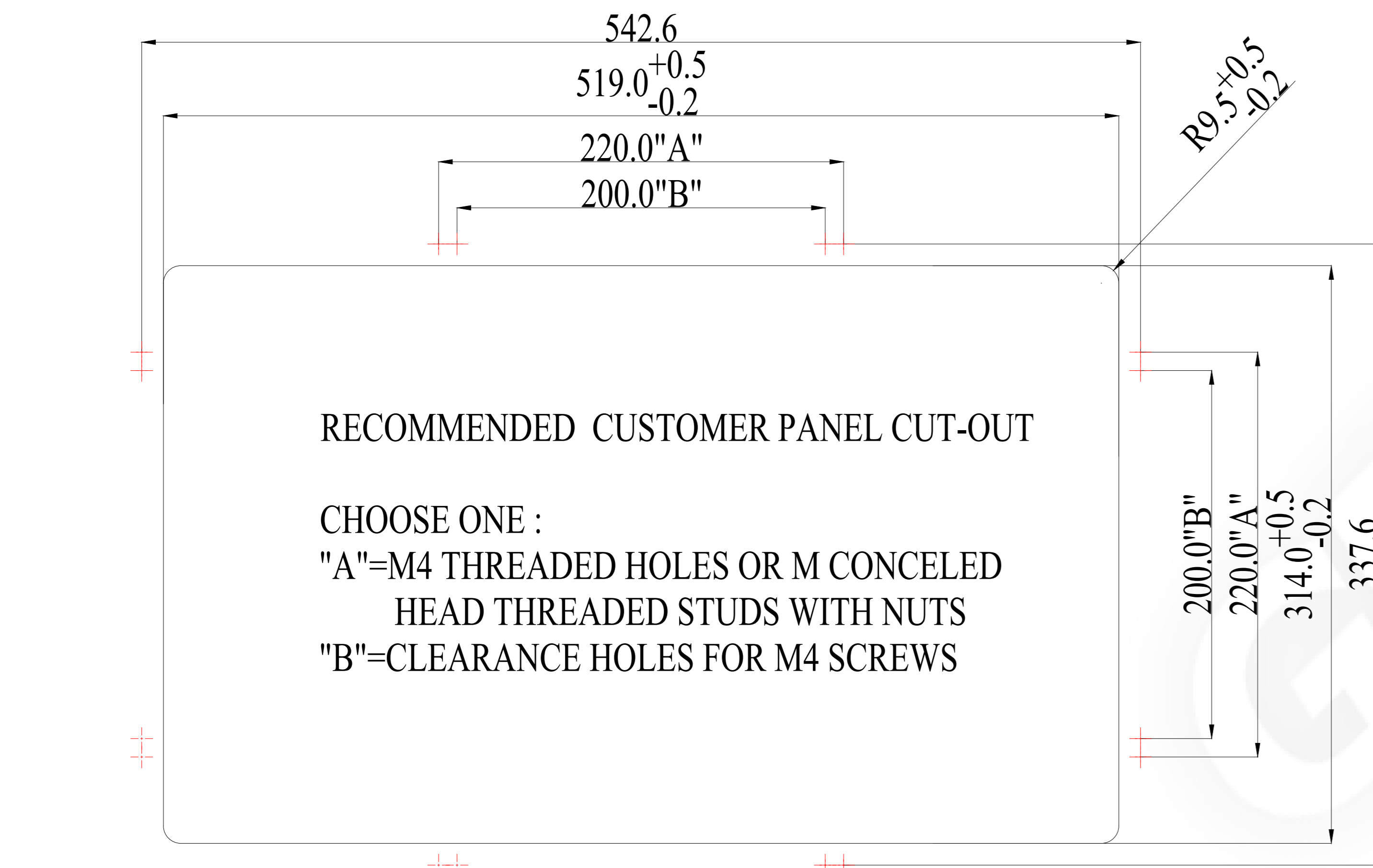
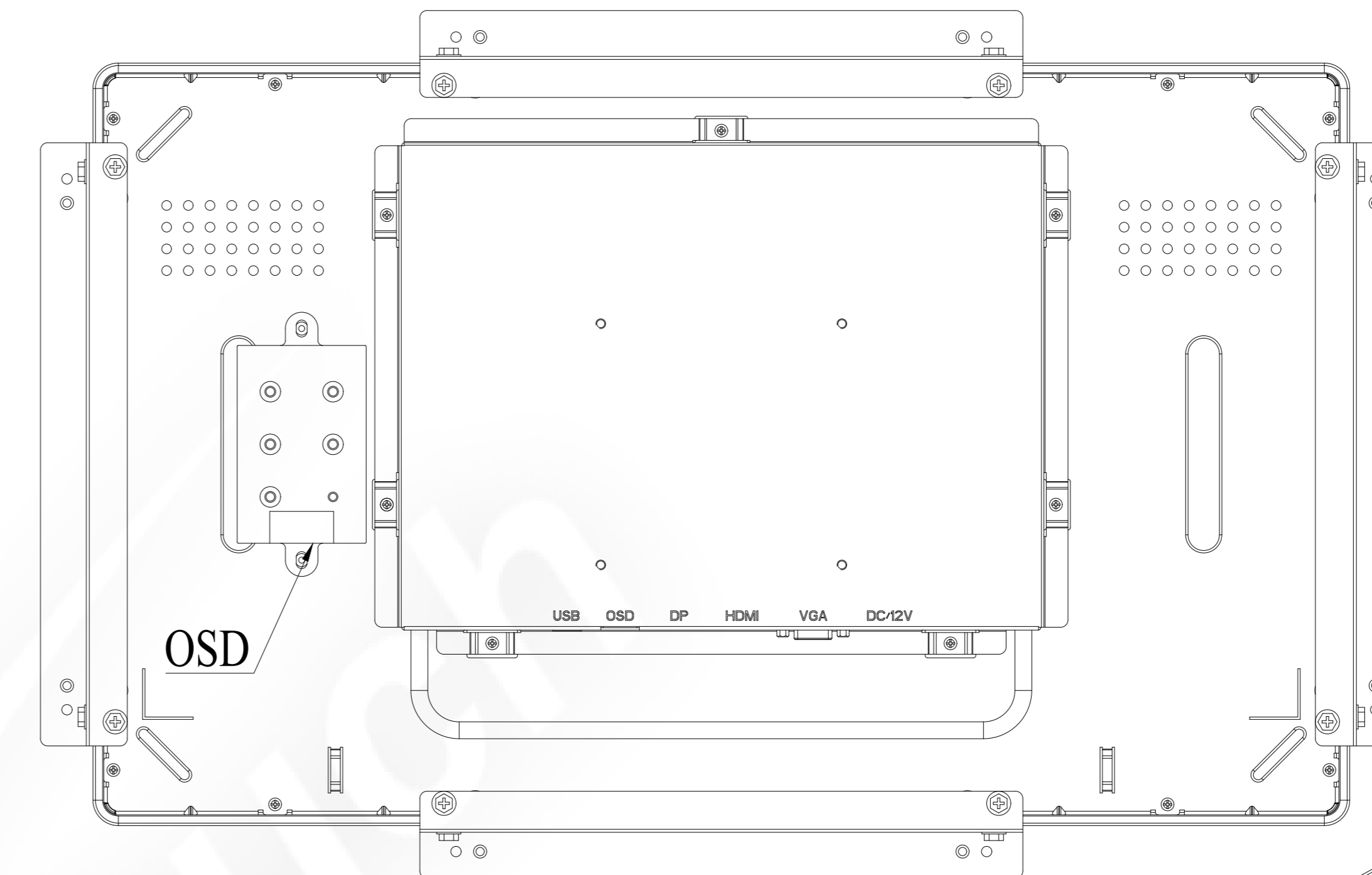
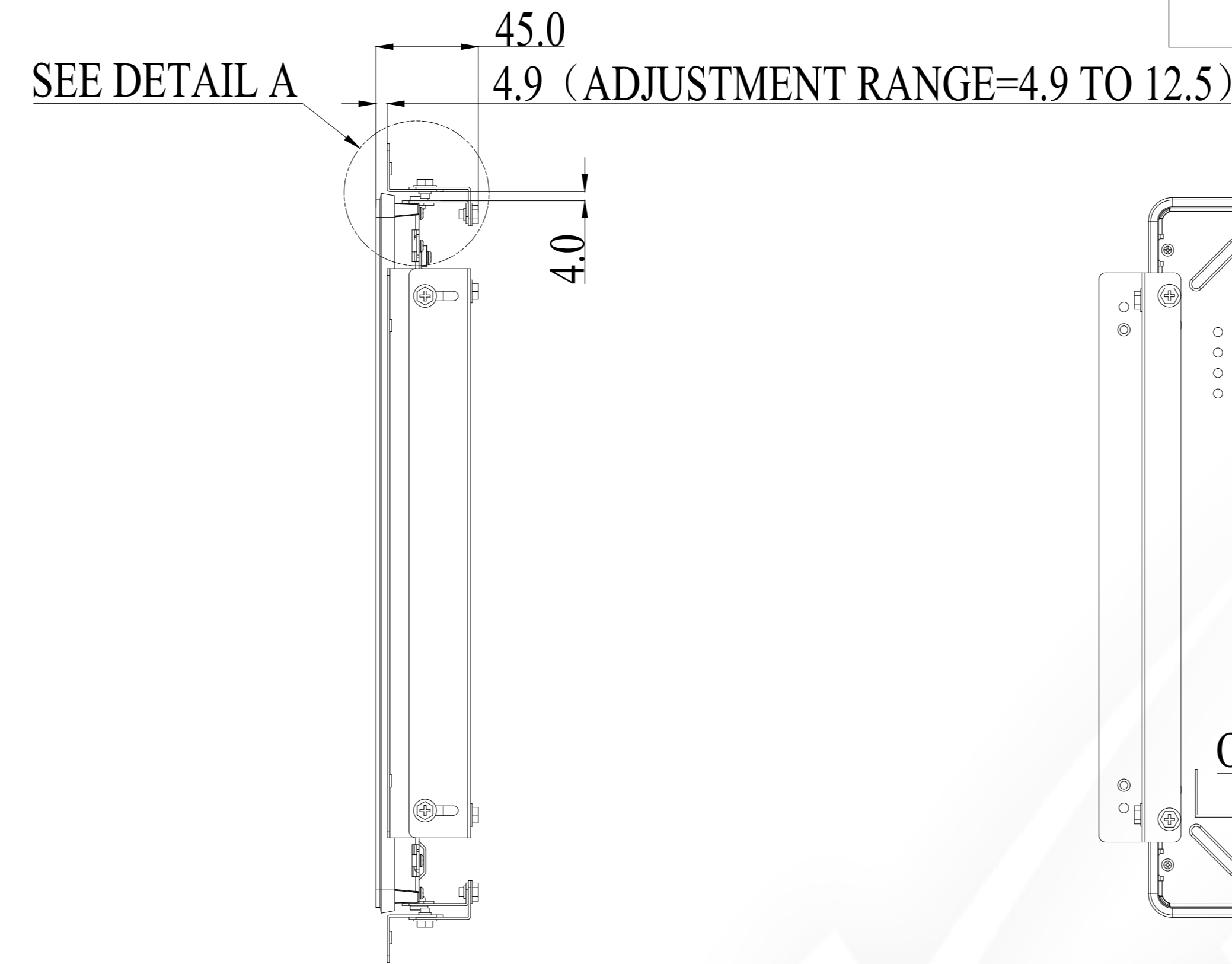
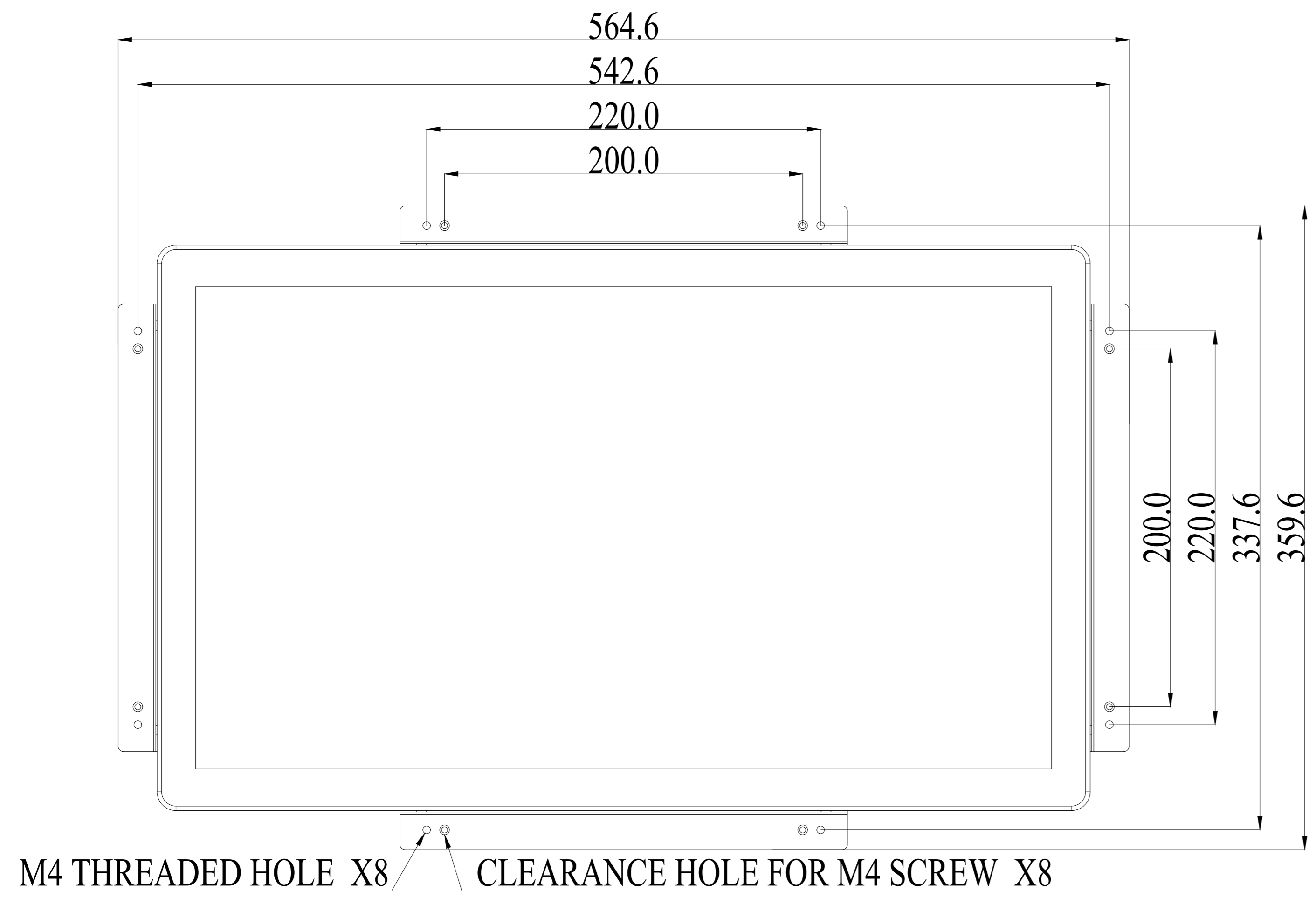
OSD (max thickness =15.5mm)

ALL DIMENSIONS ARE IN MILLIMETERS

GENERAL Touch		GeneralTouch Co.,Ltd.			
Specification	External Dimensions	564.6*359.6*45	Anti-Glare	Y <input type="checkbox"/> N <input checked="" type="checkbox"/>	Designer: ZhouRui
Unit	Date	Active Area	DustPro	Y <input type="checkbox"/> N <input checked="" type="checkbox"/>	
mm	2020/11/19	Glass Thickness			Checked: WangZhengHua
Projection:		Silk Print Color	Black		
		Mounting	Vesa <input checked="" type="checkbox"/>	Bracket <input checked="" type="checkbox"/>	Approved: ZhouBoLin
SHEET 3 OF 2		NOTES			
RVE: 0.1	SCALE: 1:1	TOUCH TECHNOLOGY	P-CAP	<input checked="" type="checkbox"/> SAW	
Tolerance: ±1.0mm			IR/PIT	RESISTIVE	
			Non-Touch		

Title: RBL226-LC4000-UD2F00-1.0

Mark	Revised Contents	Signature
▲		



- INSTALLATION NOTES:
1. ATTACH BRACKET 1 TO TOUCHMONITOR (ALL FOUR SIDES) WITH LOW PROFILE SCREWS (INCLUDED)
 2. ATTACH BRACKET 3 TO CUSTOMER PANEL PRE CUT-OUT DRAWING (ALL FOR SIDES)
 3. ATTACH BRACKET 2 TO BRACKET 3 ON ALL FOUR SIDES WITH M HEX HEAD SCREWS (INCLUDED)
 4. ADJUST DEPTH OF BRACKET 2 SO MONITOR IS FLUSH WITH CUSTOMER PANEL
 5. PLACE TOUCHMONITOR INTO CUSTOMER PANEL OPENING
 6. SECURE TOUCHMONITOR TO BRACKET 2 FROM BEHIND WITH M4 HEX HEAD SCREWS (INCLUDED)

ALL DIMENSIONS ARE IN MILLIMETERS

GENERAL Touch		GeneralTouch Co.,Ltd.			
Specification	External Dimensions	564.6*359.6*45	Anti-Glare	Y <input type="checkbox"/> N <input checked="" type="checkbox"/>	Designer:
Unit	Date	Active Area	DustPro	Y <input type="checkbox"/> N <input checked="" type="checkbox"/>	
mm	2020/11/19	Glass Thickness			ZhouRui
Projection:		Silk Print Color	Black		Checked:
		Mounting	Vesa <input checked="" type="checkbox"/> Bracket <input checked="" type="checkbox"/>		
Sheet 3 OF 3		Notes			WangZhengHua
VER: 0.1	Scale: 1:1	TOUCH TECHNOLOGY	P-CAP	<input checked="" type="checkbox"/> SAW	Approved:
Tolerance: ±1.0mm			IR/PIT	RESISTIVE	
			Non-Touch		
					ZhouBoLin