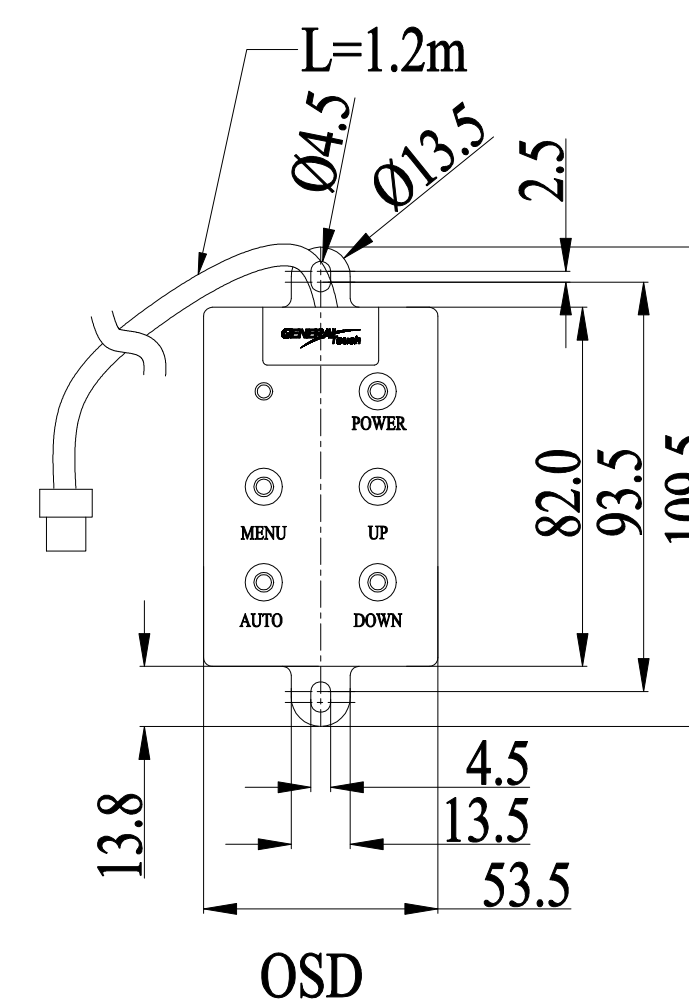
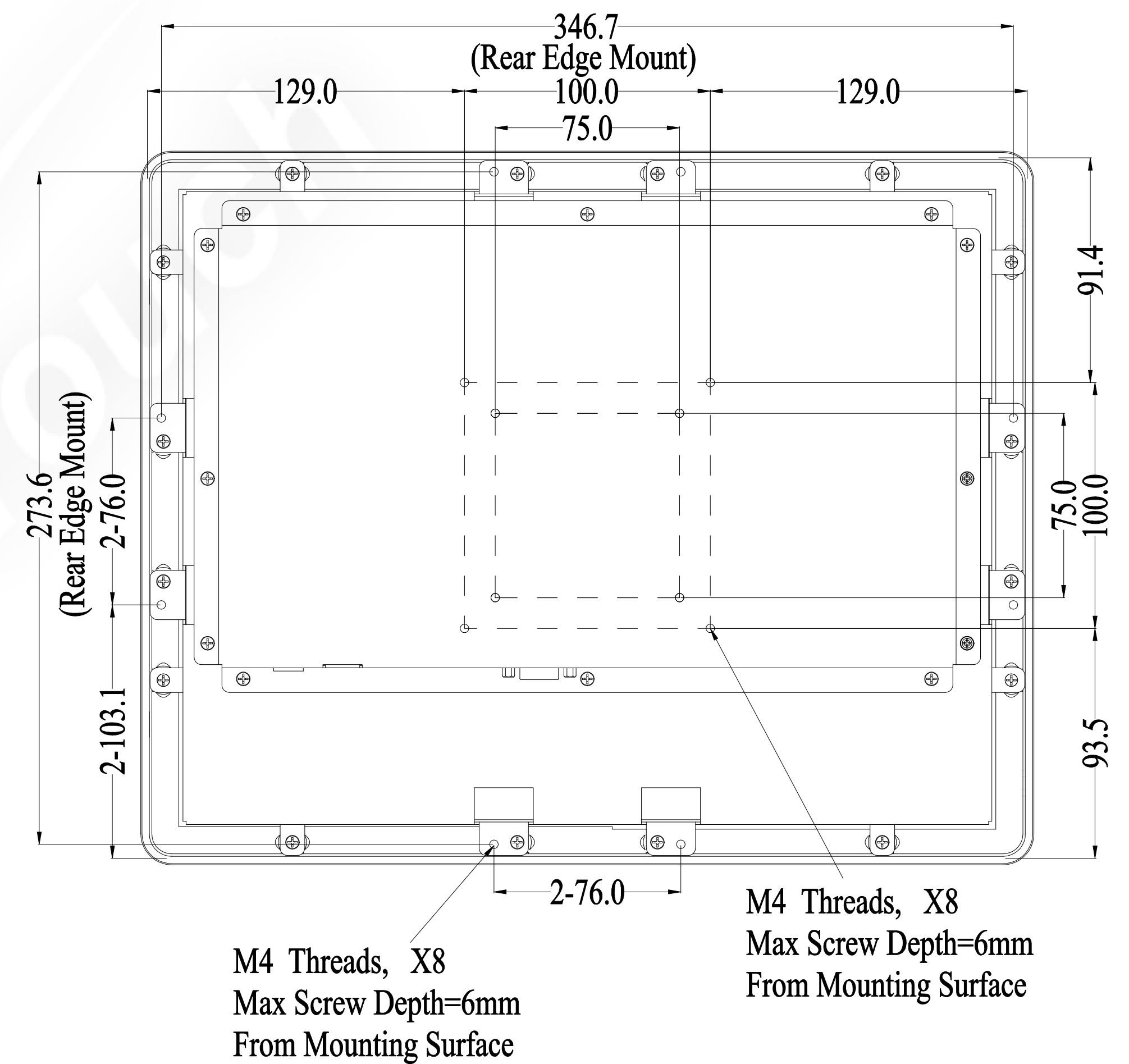
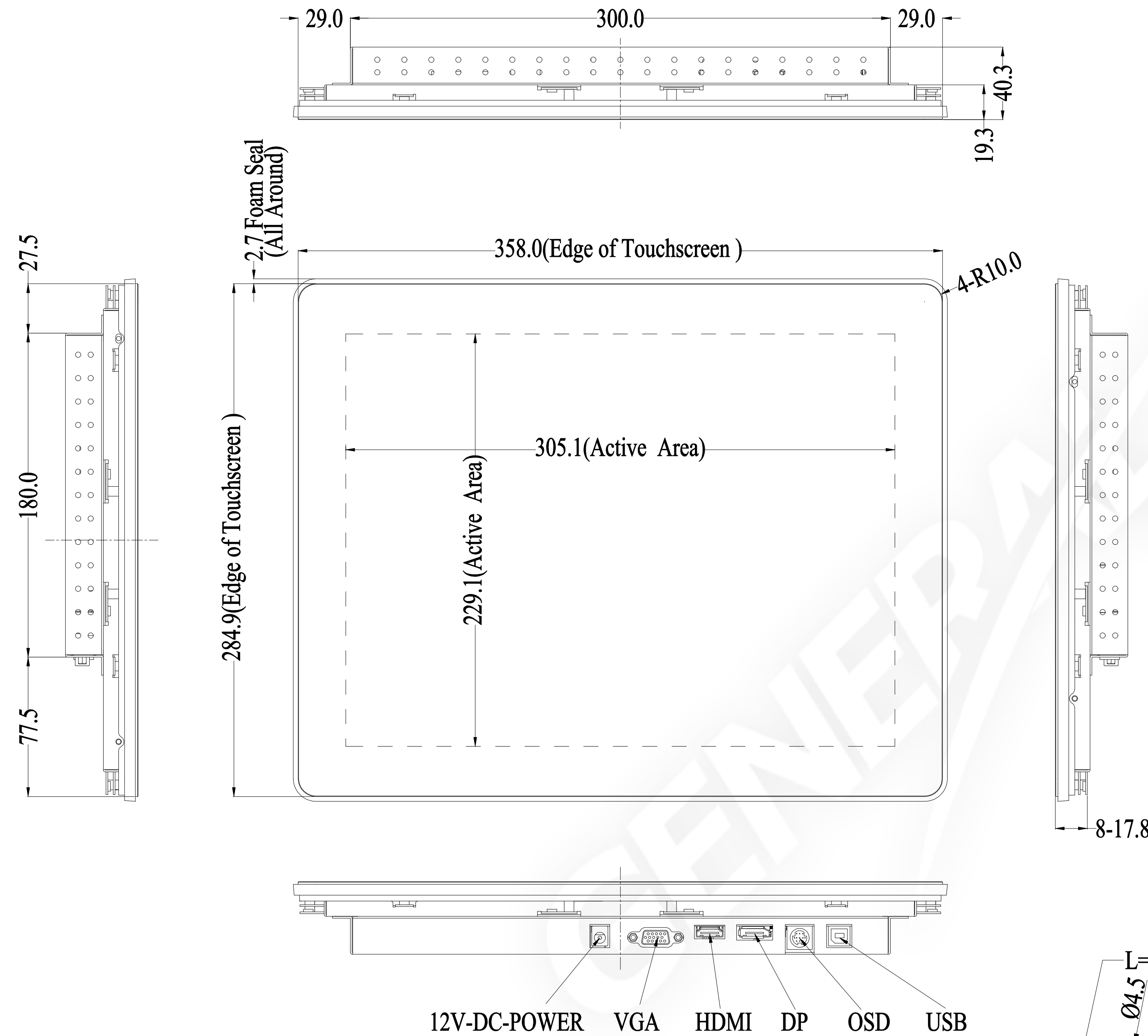


Title: RTL15L-RC5000-UD3A00-1.0

Mark	Revised Contents	Signature
△		

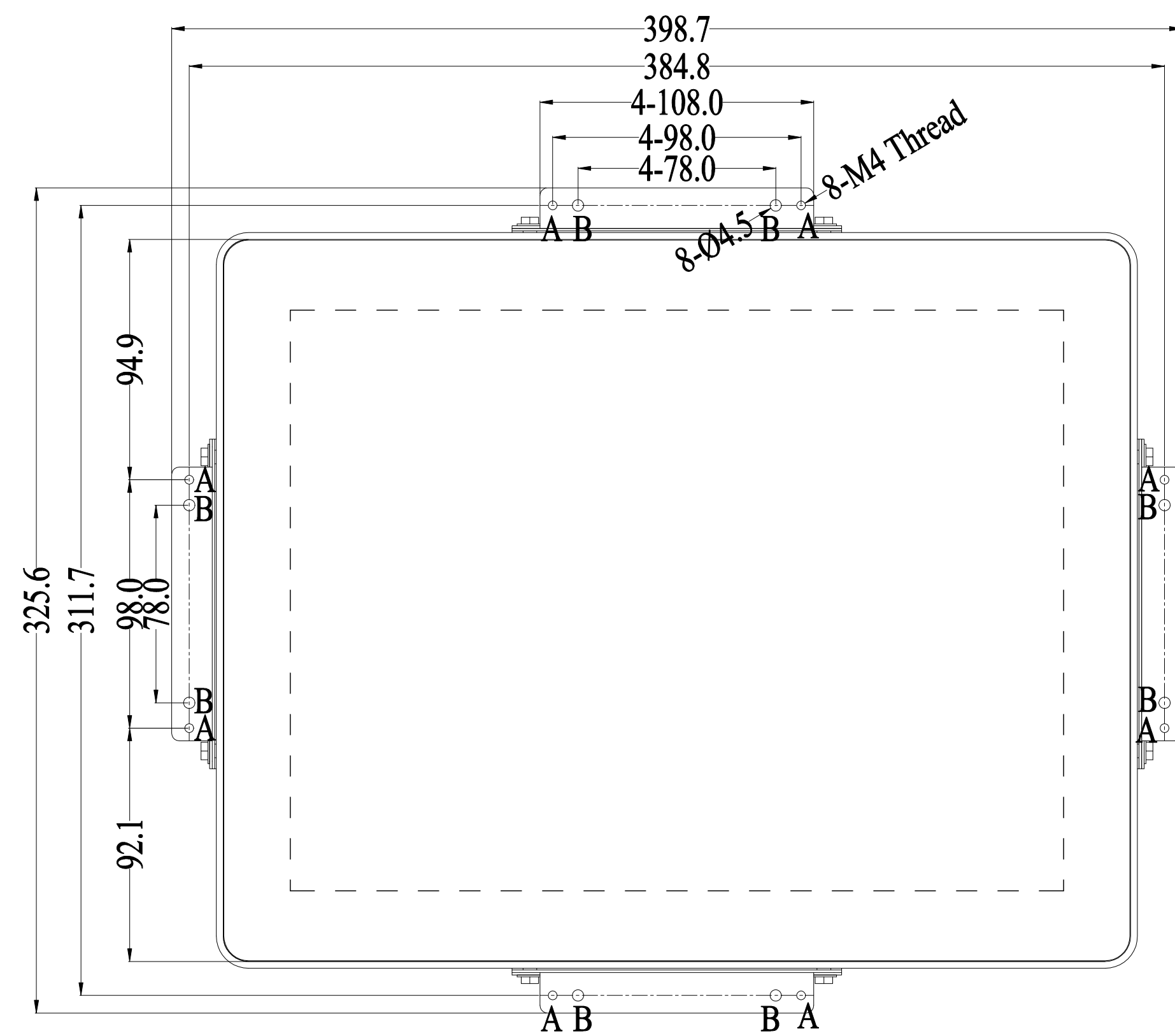


ALL DIMENSIONS ARE IN MILLIMETERS

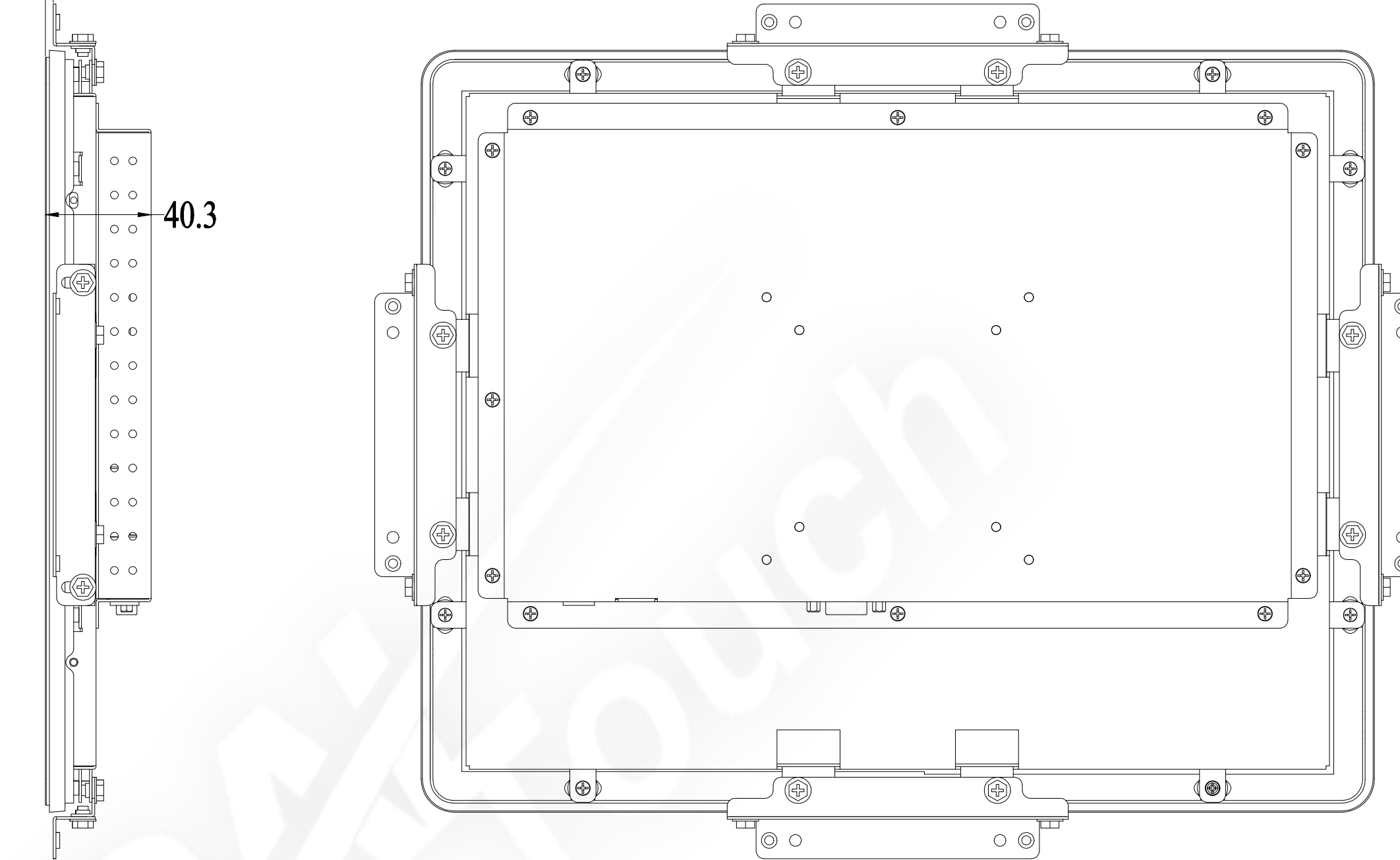
GENERAL Touch		GeneralTouch Co., Ltd.				Designer:	
Specification	External Dimensions	358*284.9*40.3	Anti-Glare	Y <input type="checkbox"/> N <input checked="" type="checkbox"/>	DustProof	Y <input type="checkbox"/> N <input checked="" type="checkbox"/>	Han Jin
Unit	Date	Active Area					
mm	2022/07/19	305.1*229.1	Glass Thickness	3 mm		Checked By:	
Projection:		Silk Print Color	Mounting	VESA <input checked="" type="checkbox"/>	Bracket	<input checked="" type="checkbox"/>	Wang Zhenghua
Sheet 1 of 2		Notes					Approved By:
VER: 0.1	Scale: 1:1	Touch Technology	P-CAP	<input checked="" type="checkbox"/>	SAW	Zhou Bolin	
Tolerance: ±1.0mm			IR/PIT	Resistive			
			Non-Touch				

Title: RTL15L-RC5000-UD3A00-1.0

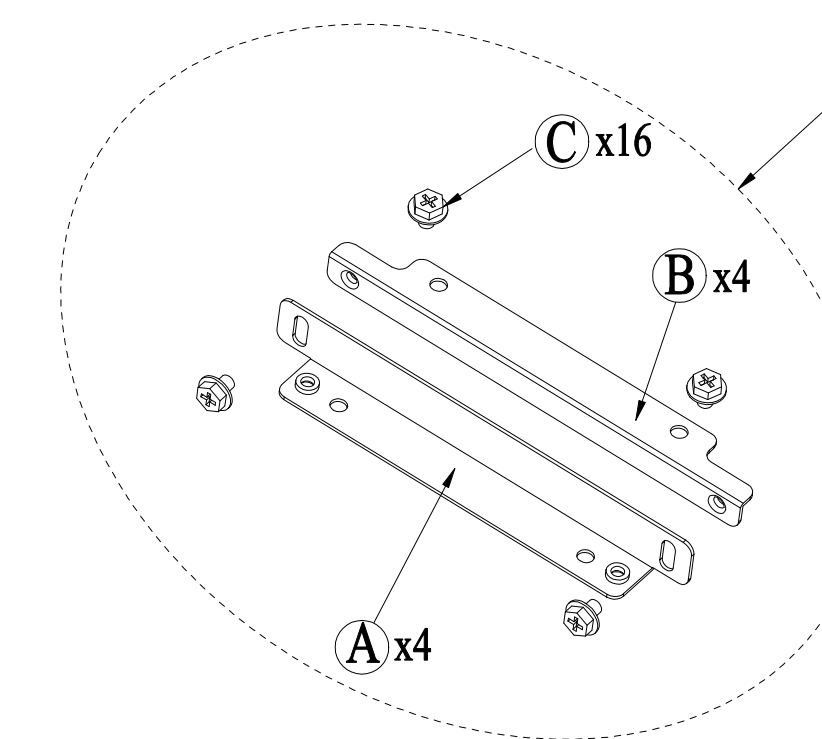
Mark	Revised Contents	Signature
△		



Ad Justment Range=3 To 9 MM



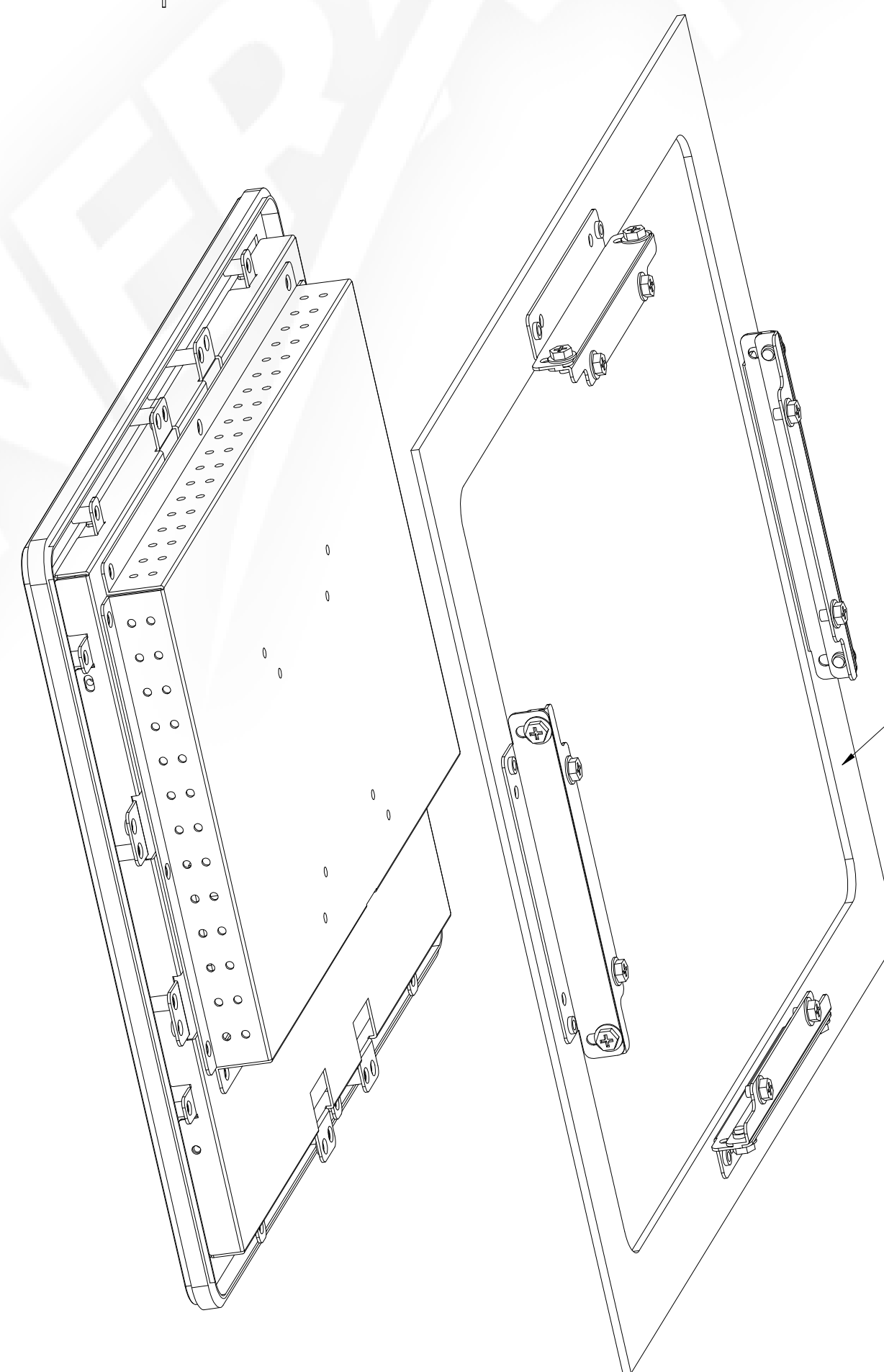
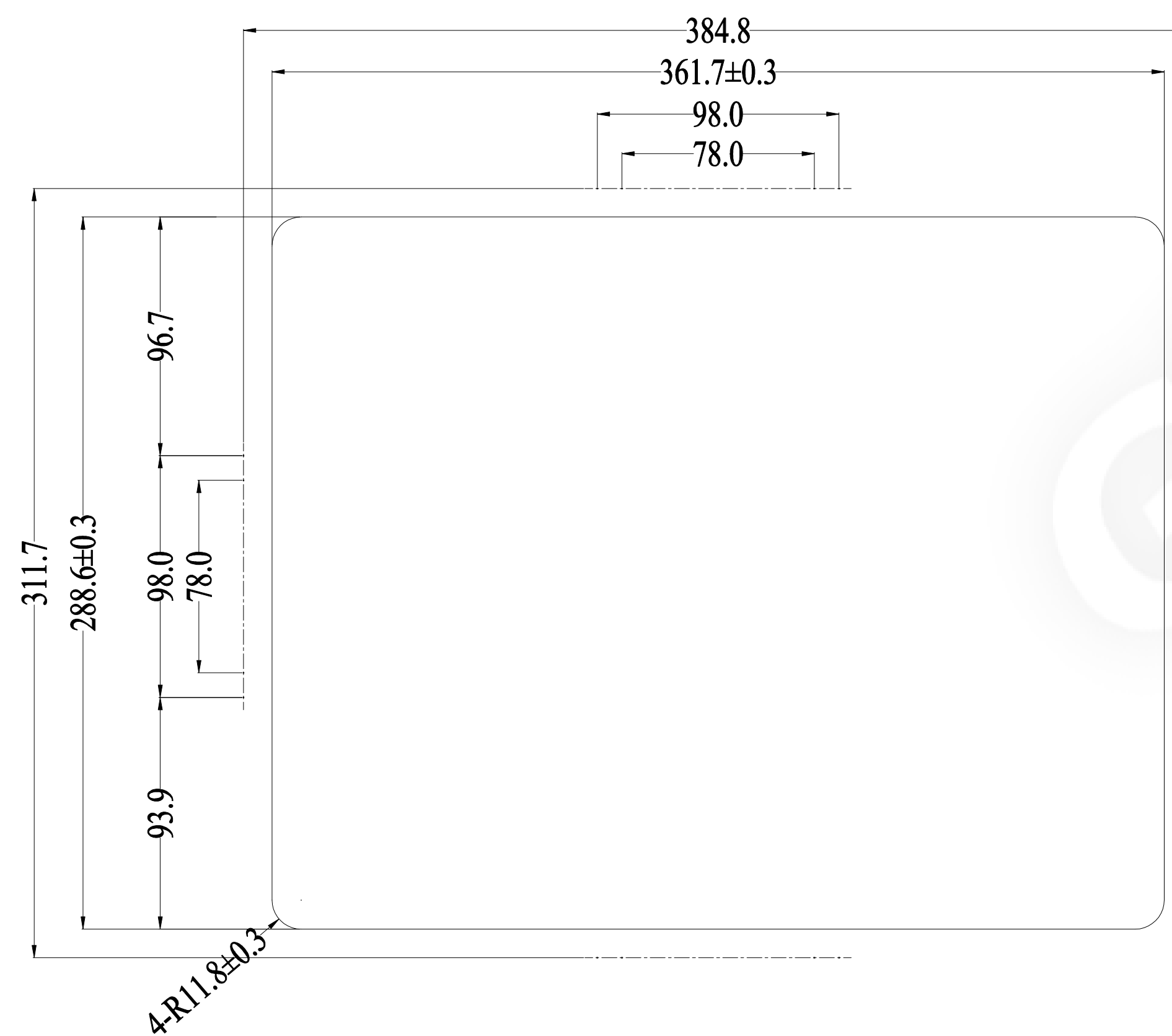
120400539R Mounting bracket assembly is optional



Customer Panel (Not Included)
Min Thickness = 4 mm
Max Thickness = 12 mm

Optional Accessories

Part Number	Description	Qty
120400539R	Mounting bracket assembly	1



GENERAL Touch

GeneralTouch Co., Ltd.

Specification	External Dimensions	398.7*325.6*40.3	Anti-Glare	<input type="checkbox"/> Y <input checked="" type="checkbox"/> N	Designer: Han Jin
Unit	Date	mm	2023/07/19	DustProof	
Projection:	Active Area	305.1*229.1	Glass Thickness	3 mm	Checked By: Wang Zhenghua
	Silk Print Color		Mounting	VESA <input checked="" type="checkbox"/> Bracket <input checked="" type="checkbox"/>	
Sheet 2 of 2	Notes				Approved By: Zhou Bolin
VER: 0.1	Scale: 1:1	Touch Technology	P-CAP	<input checked="" type="checkbox"/> SAW	
Tolerance: ±1.0mm			IR/PIT	<input type="checkbox"/> Resistive	
			Non-Touch	<input type="checkbox"/>	

ALL DIMENSIONS ARE IN MILLIMETERS