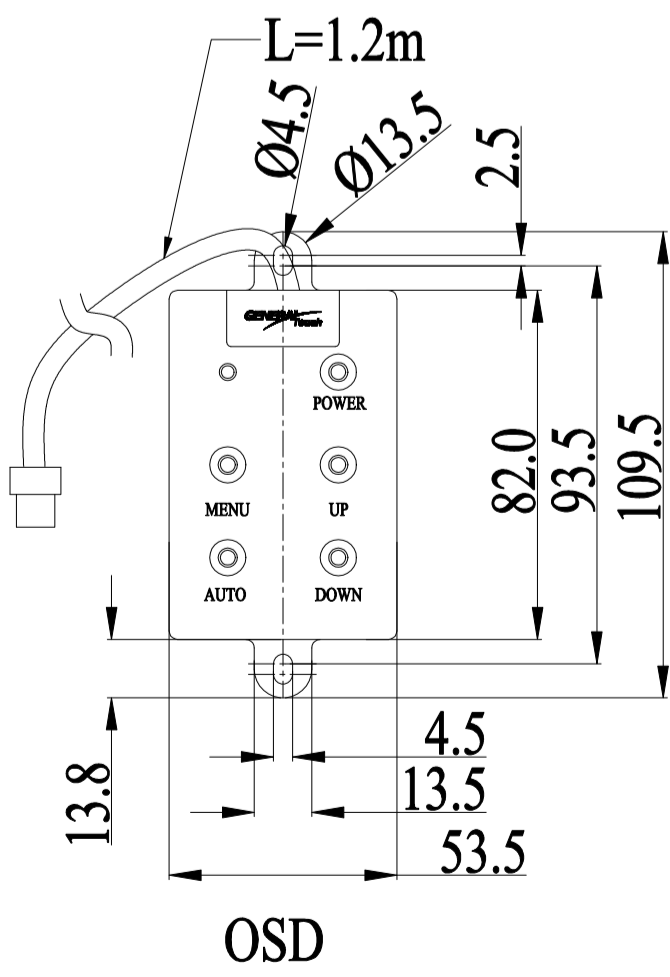
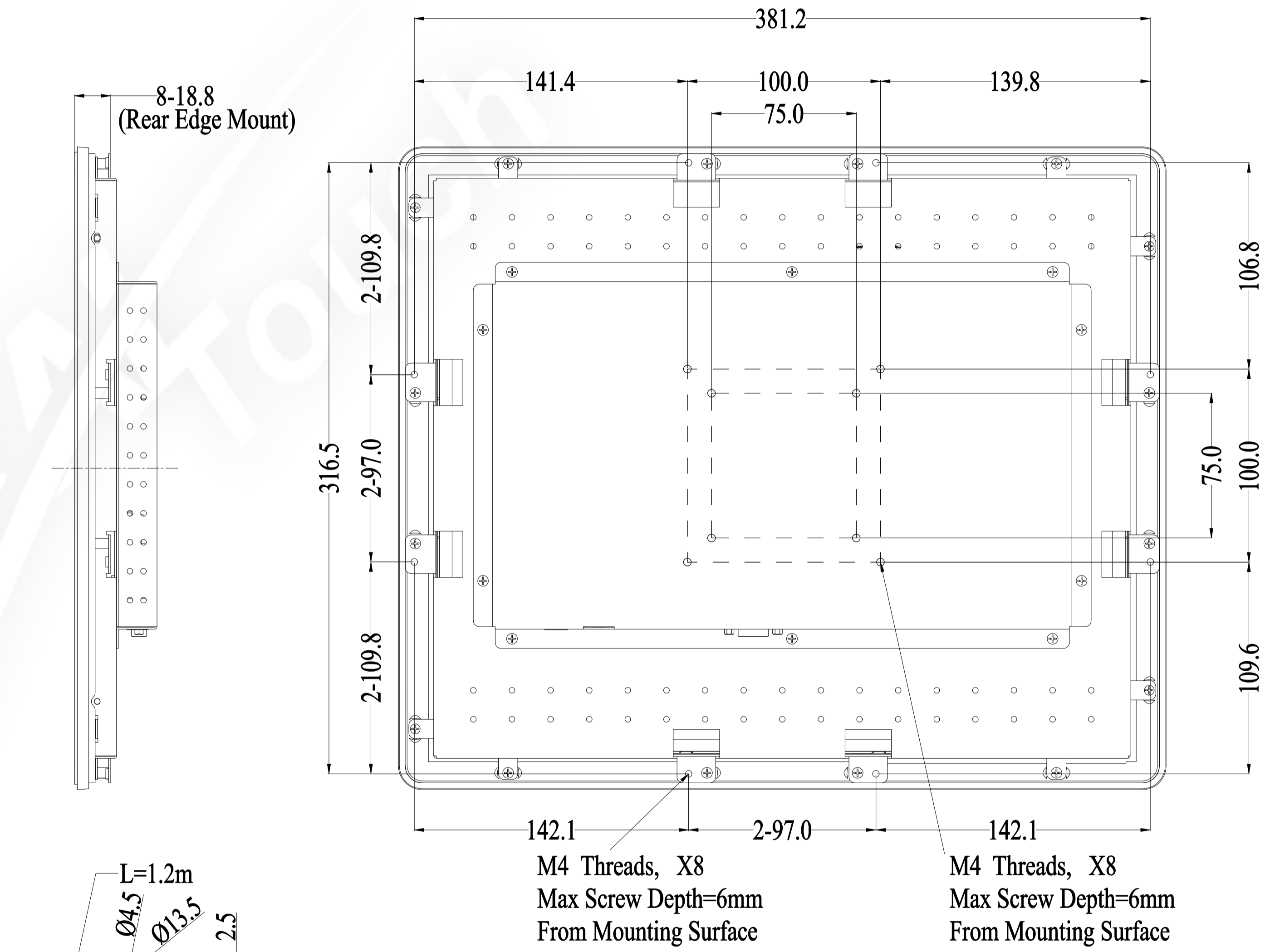
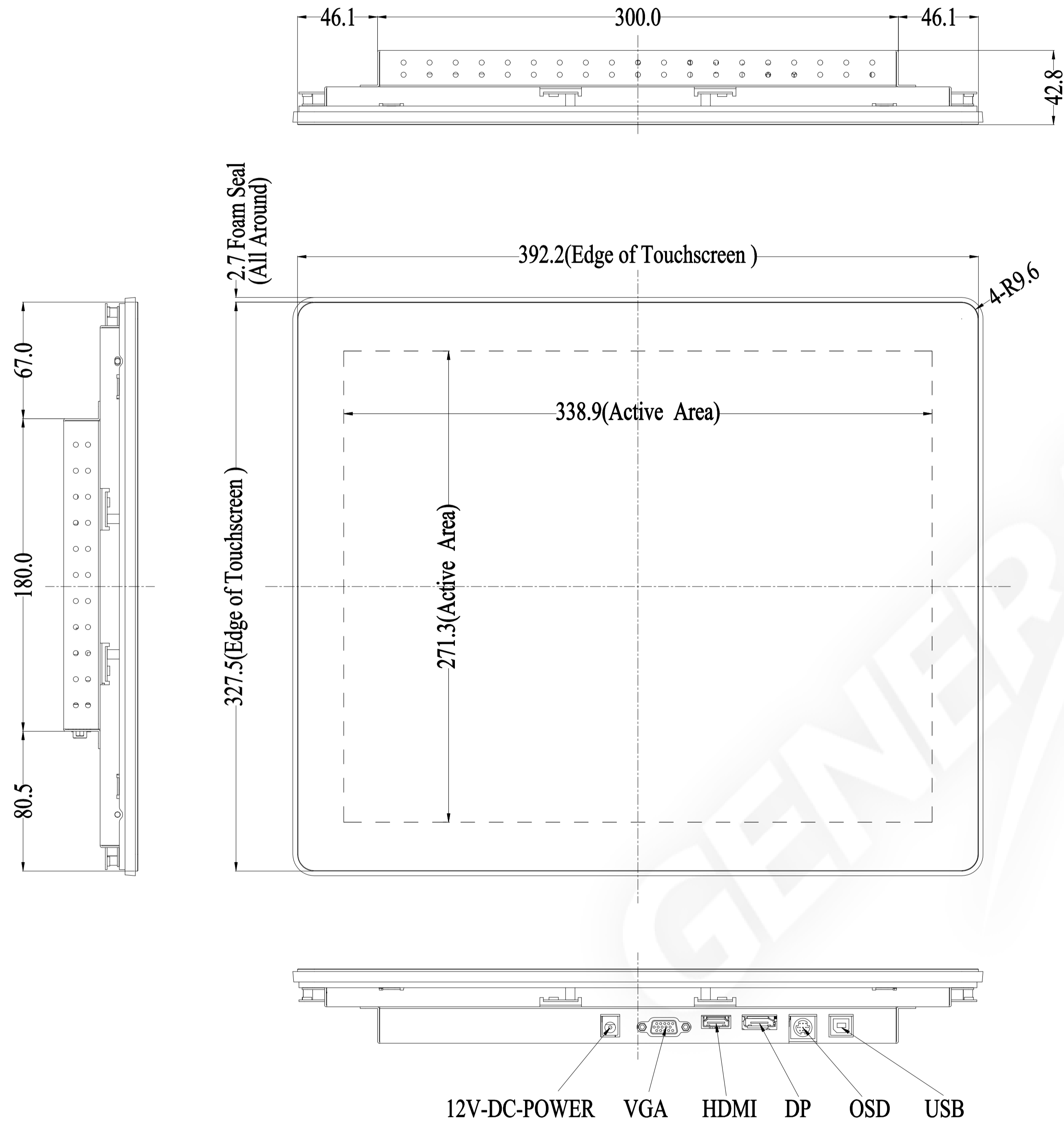


Title: RTL176-RC5E00-UD2A00-1.0

Mark	Revised Contents	Signature
①		

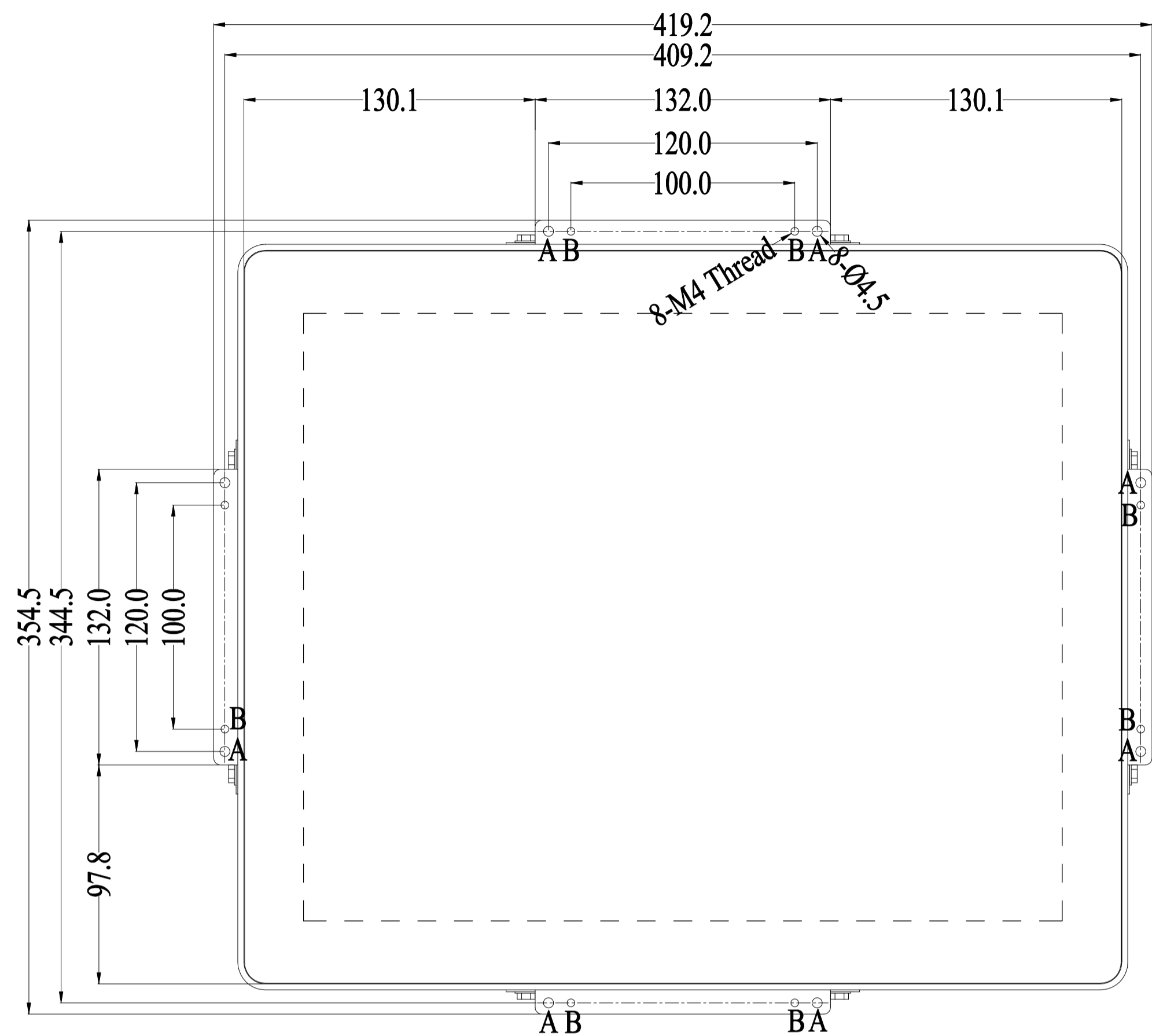


ALL DIMENSIONS ARE IN MILLIMETERS

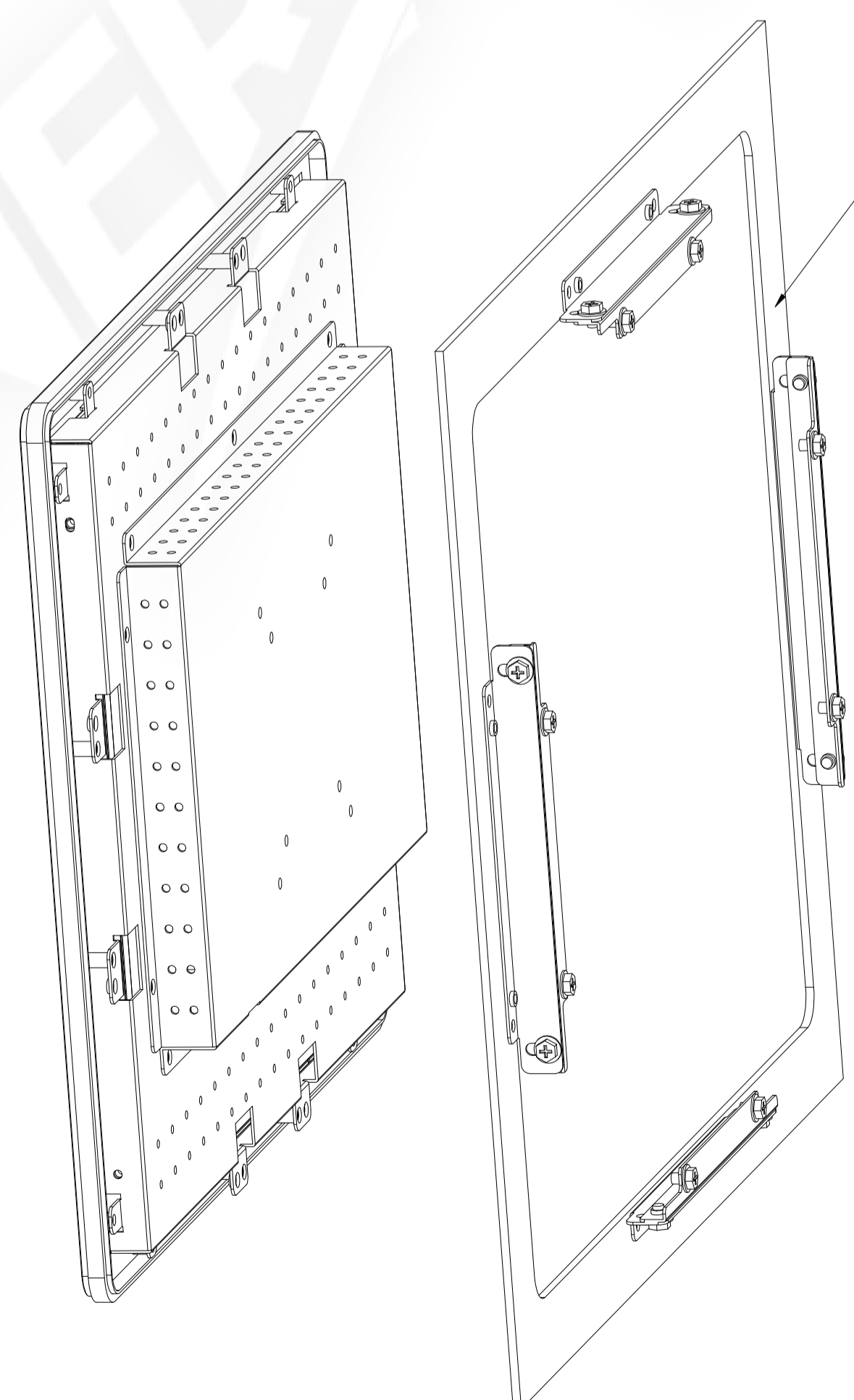
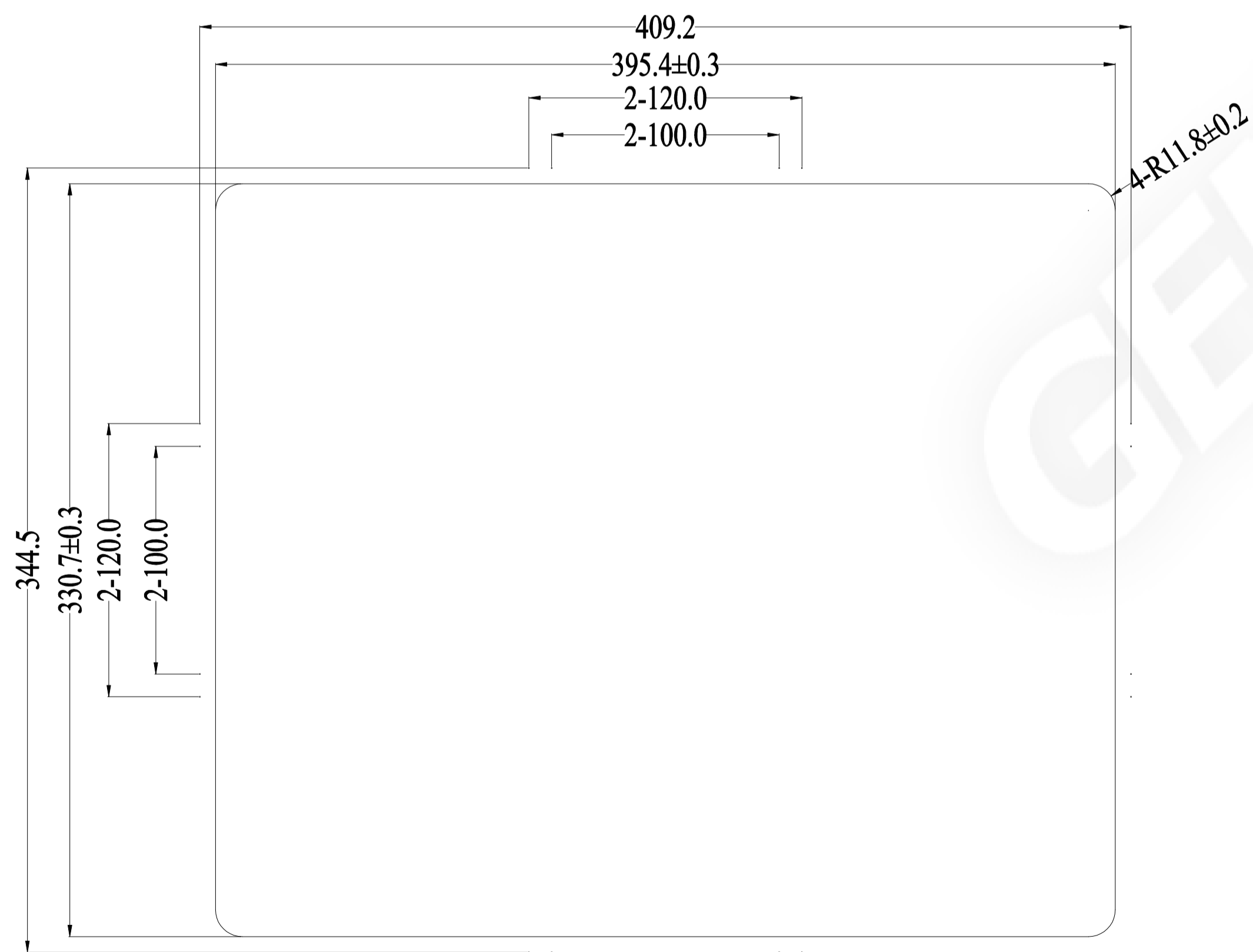
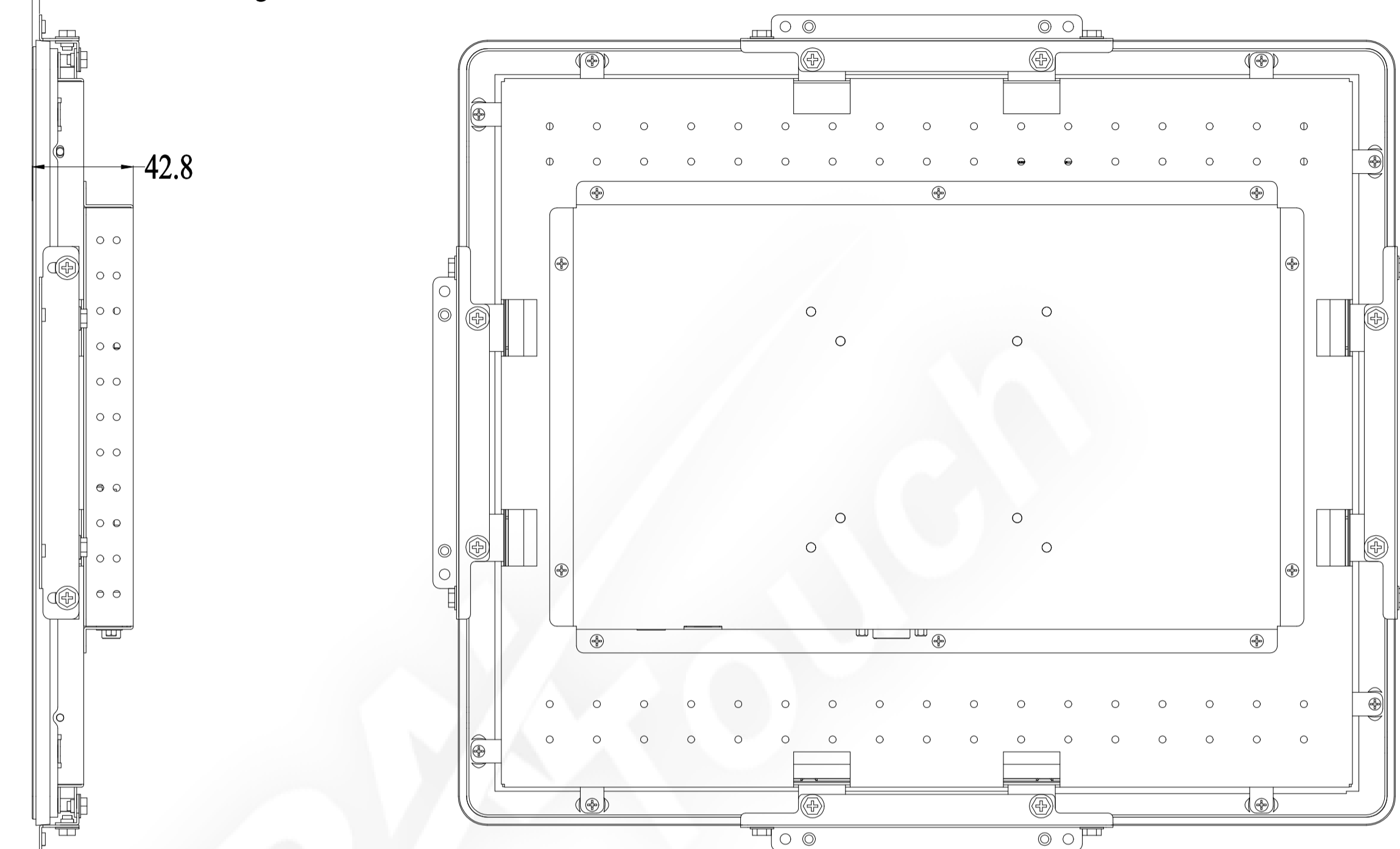
GENERAL Touch		GeneralTouch Co., Ltd.			
Specification	External Dimensions	392.2*327.5*42.8	Anti-Glare	<input type="checkbox"/> Y <input checked="" type="checkbox"/> N	Designer: Han Jin
Unit	Date	Active Area	DustProof	<input type="checkbox"/> Y <input checked="" type="checkbox"/> N	
mm	2022/04/21	Glass Thickness			Checked By: Wang Zhenghua
Projection:		Silk Print Color			
Sheet 1 of 2		Mounting	VESA <input checked="" type="checkbox"/> Bracket <input checked="" type="checkbox"/>		Approved By: Zhou Bolin
VER: 0.3	Scale: 1:1	Notes			
Tolerance: ±1.0mm		Touch Technology	P-CAP <input checked="" type="checkbox"/> SAW <input type="checkbox"/>	IR/PIT <input type="checkbox"/> Resistive <input type="checkbox"/>	
			Non-Touch <input type="checkbox"/>		

Title: RTL176-RC5E00-UD2A00-1.0

Mark	Revised Contents	Signature
①		

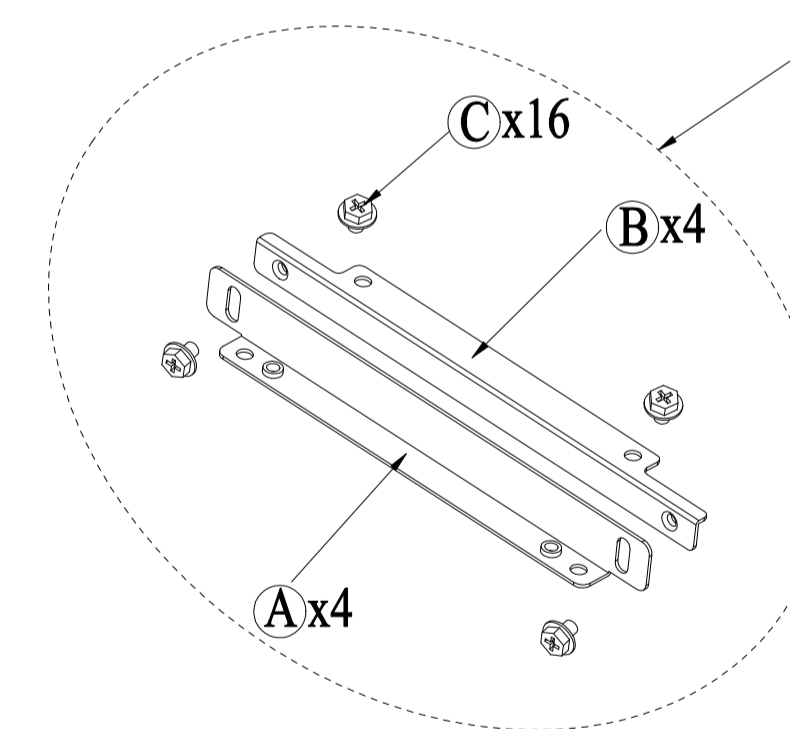


Ad Justment Range=3 To 9 MM



Customer Panel (Not Included)
Min Thickness =4 mm
Max Thickness =12 mm

120400538R Mounting bracket assembly is optional



Optional Accessories

Part Number	Description	Qty
120400538R	Mounting bracket assembly	1



GeneralTouch Co., Ltd.

Specification	External Dimensions	419.2*354.5*42.8	Anti-Glare	<input type="checkbox"/> Y <input checked="" type="checkbox"/> N	Designer: Han Jin
Unit	Date	Active Area	DustProof	<input type="checkbox"/> Y <input checked="" type="checkbox"/> N	
mm	2022/04/21	Glass Thickness			Checked By: Wang Zhenghua
Projection:		Silk Print Color			
Sheet 2 of 2		Mounting	VESA <input checked="" type="checkbox"/>	Bracket <input checked="" type="checkbox"/>	Approved By: Zhou Bolin
VER: 0.3	Scale: 1:1	Notes			
Tolerance: ±1.0mm		Touch Technology	P-CAP <input checked="" type="checkbox"/>	SAW <input type="checkbox"/>	
			IR/PIT <input type="checkbox"/>	Resistive <input type="checkbox"/>	
			Non-Touch <input type="checkbox"/>		

ALL DIMENSIONS ARE IN MILLIMETERS