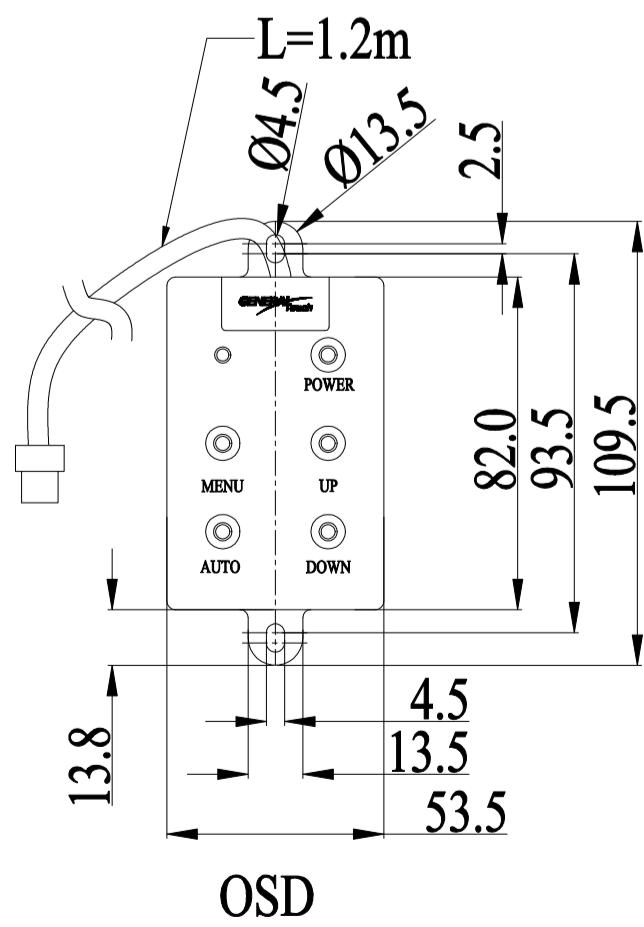
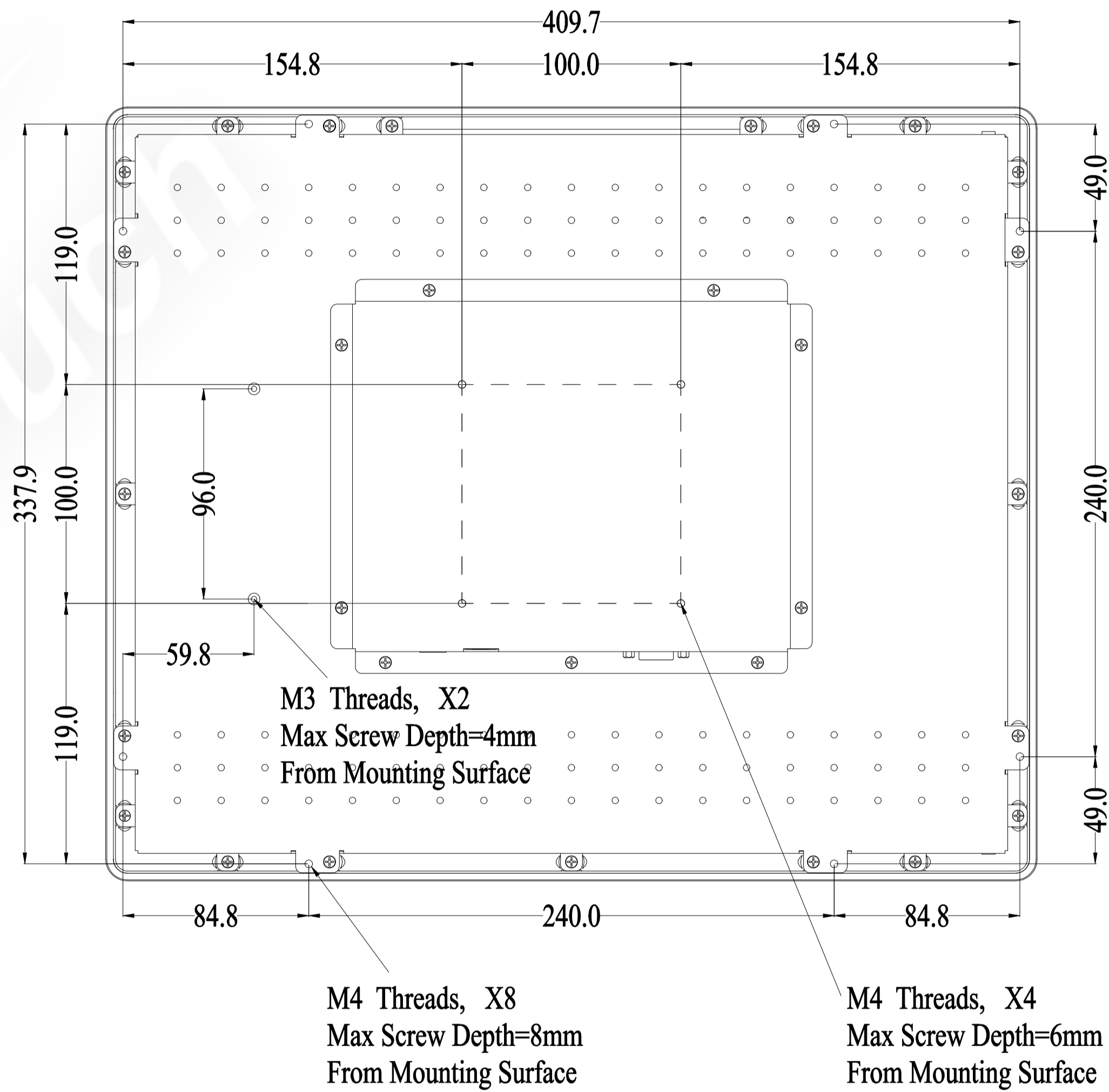
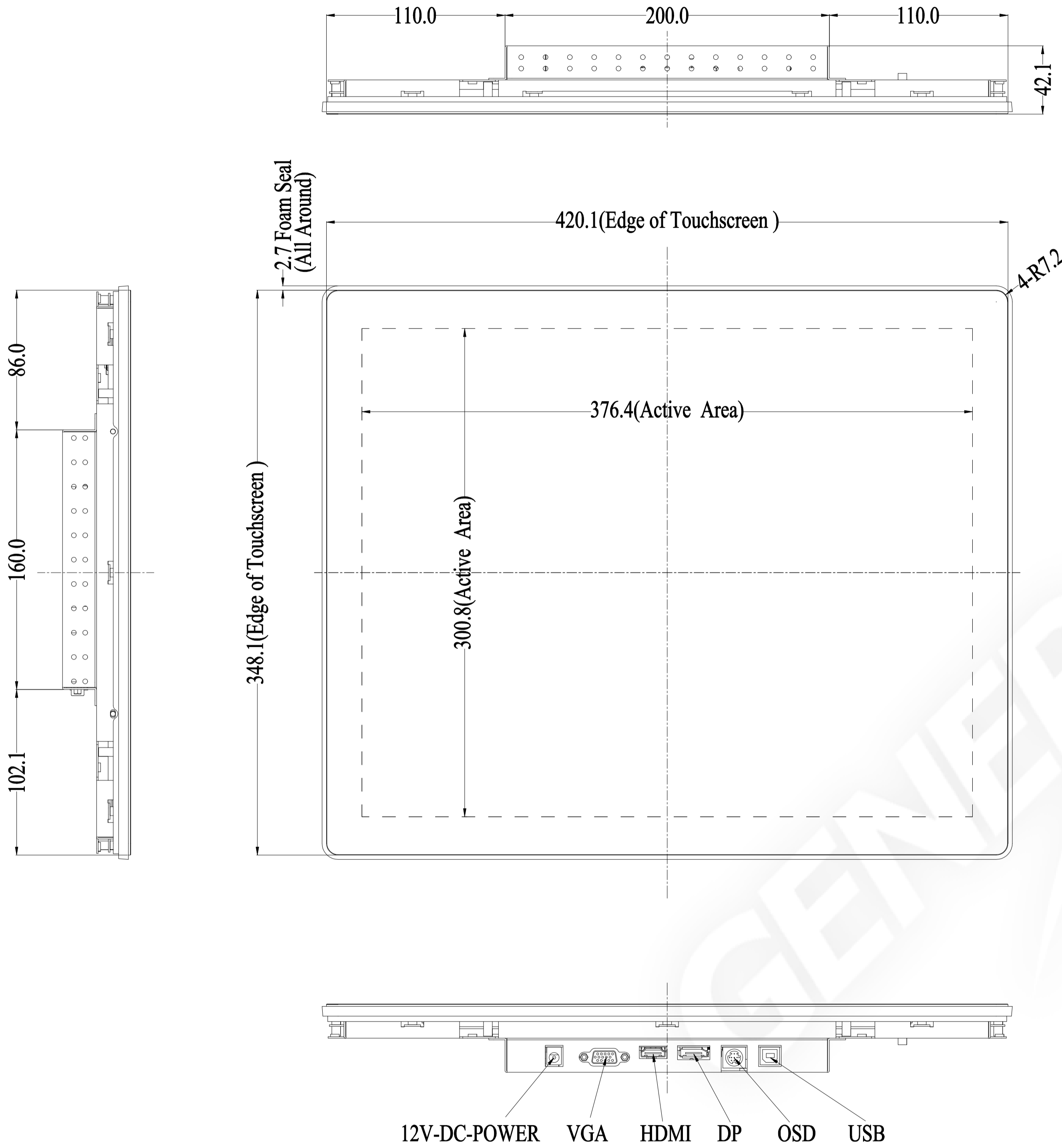


Title: RTL196-RC5E00-UD2A00-1.0

Mark	Revised Contents	Signature
①		

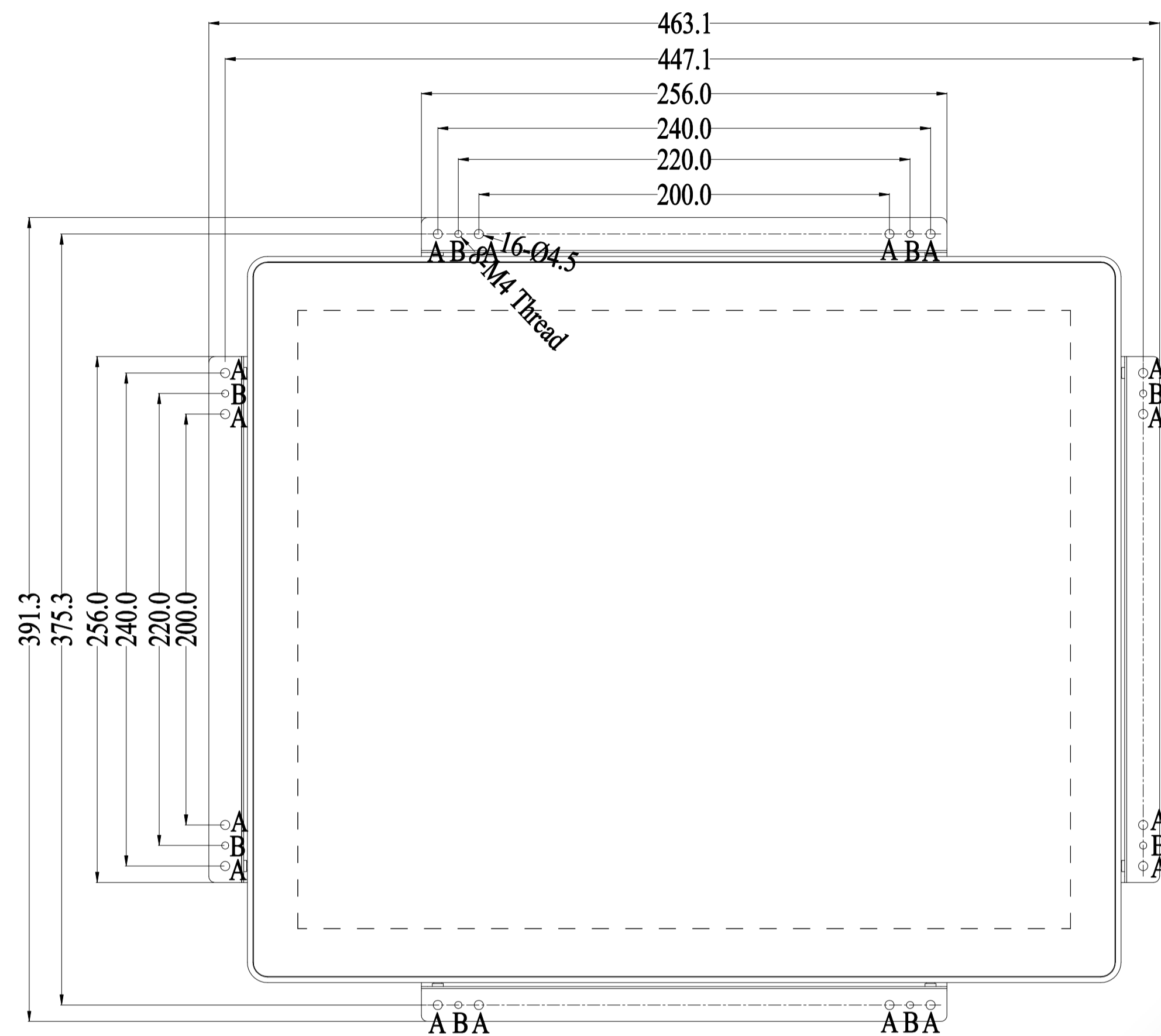


ALL DIMENSIONS ARE IN MILLIMETERS

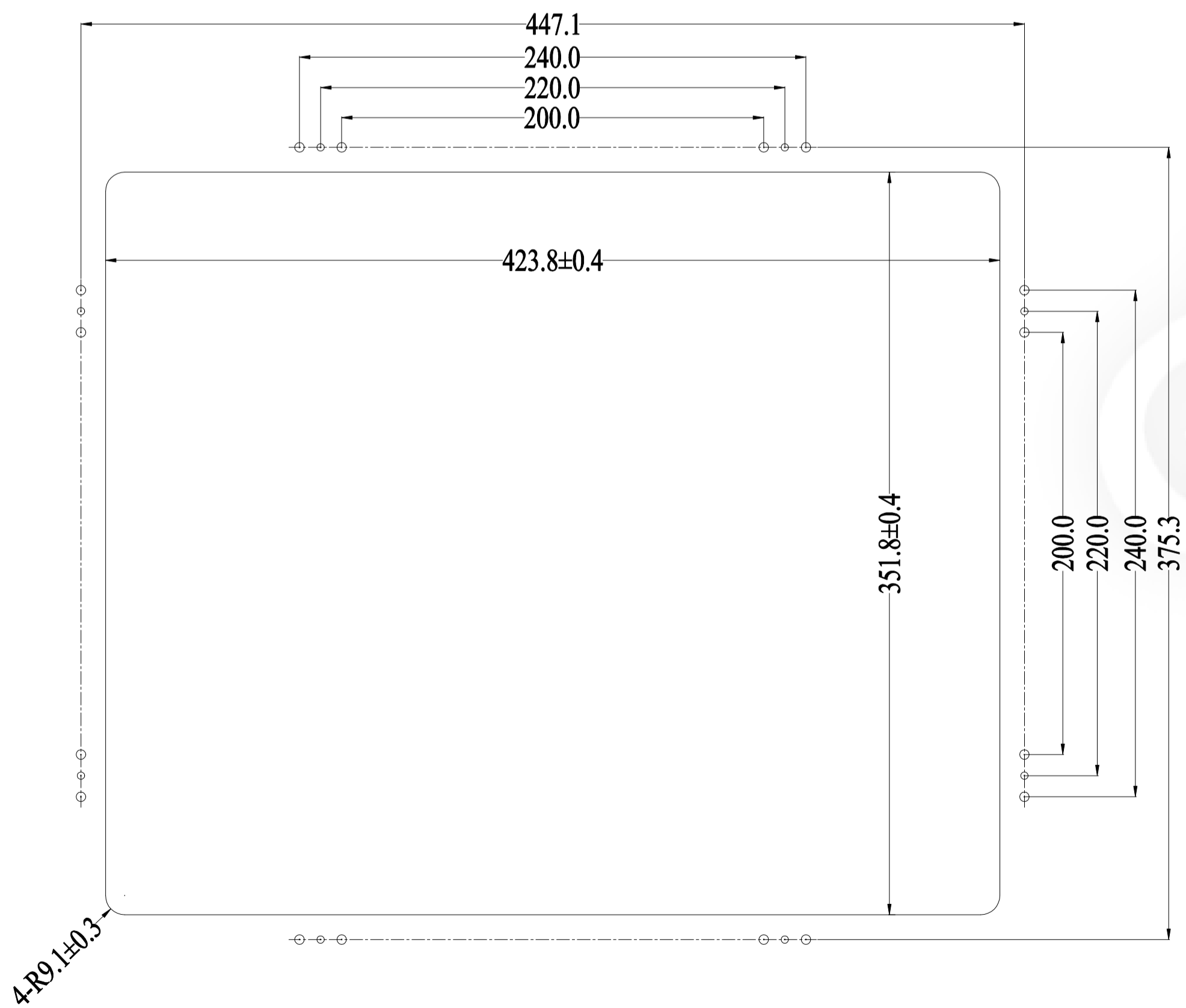
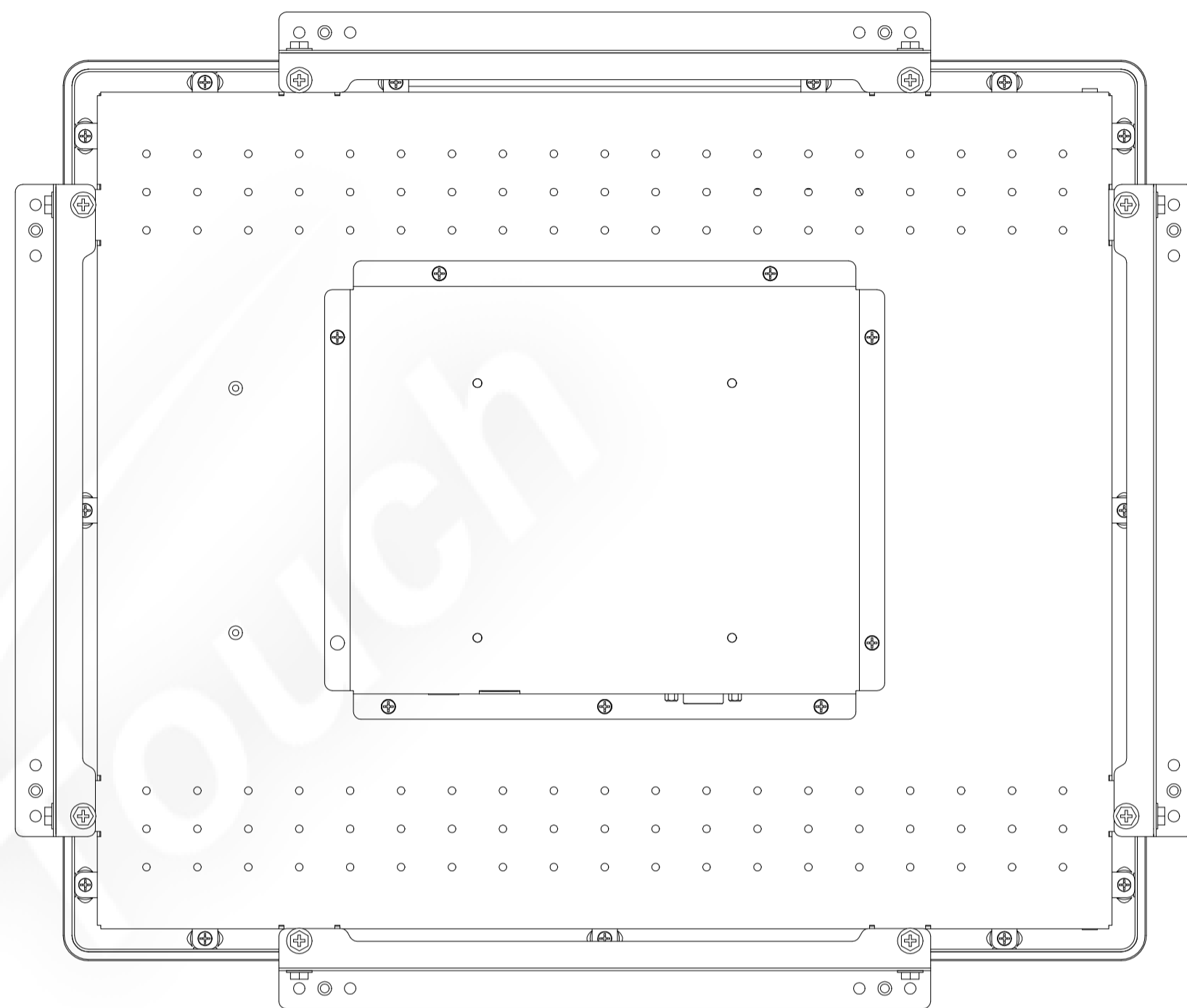
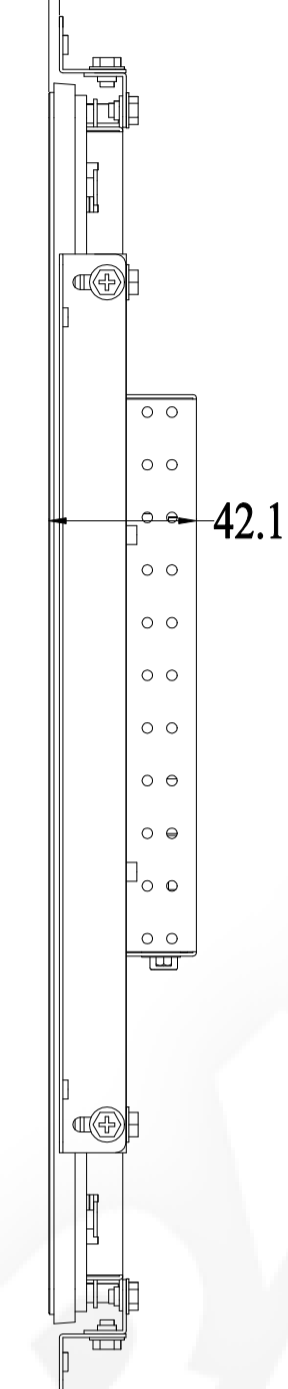
GENERAL Touch		GeneralTouch Co., Ltd.			
Specification	External Dimensions	420.1*348.1*42.1	Anti-Glare	Y <input type="checkbox"/> N <input checked="" type="checkbox"/>	Designer: Han Jin
Unit	Date	Active Area	DustProof	Y <input type="checkbox"/> N <input checked="" type="checkbox"/>	
mm	2022/04/21	Glass Thickness			Checked By: Wang Zhenghua
Projection:		Silk Print Color			
Sheet 1 of 2		Mounting	VESA <input checked="" type="checkbox"/>	Bracket <input checked="" type="checkbox"/>	Approved By: Zhou Bolin
VER: 0.3	Scale: 1:1	Notes			
Tolerance: ±1.0mm		Touch Technology	P-CAP <input checked="" type="checkbox"/>	SAW <input type="checkbox"/>	
			IR/PIT <input type="checkbox"/>	Resistive <input type="checkbox"/>	
			Non-Touch <input type="checkbox"/>		

Title: RTL196-RC5E00-UD2A00-1.0

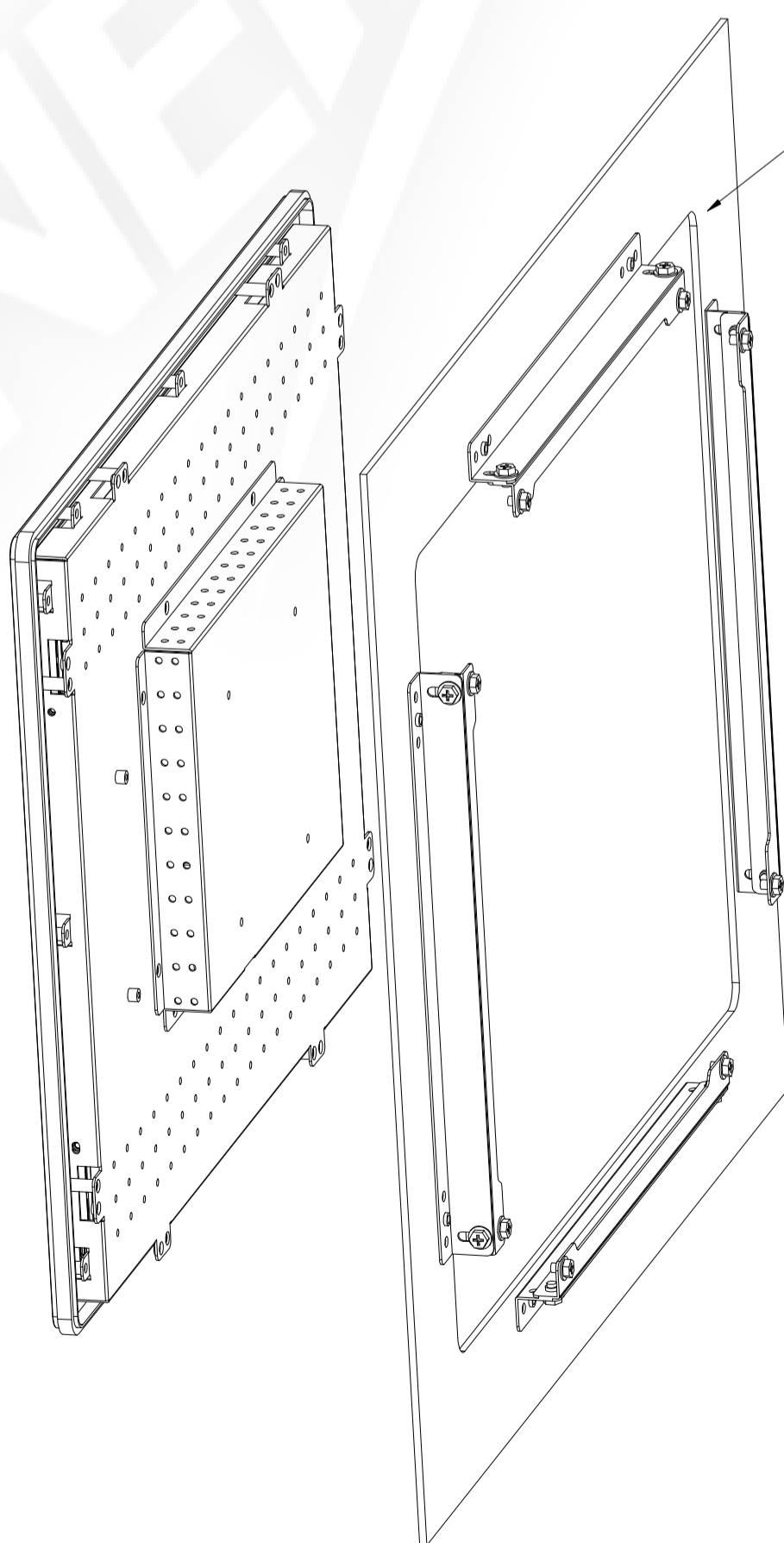
Mark	Revised Contents	Signature
①		



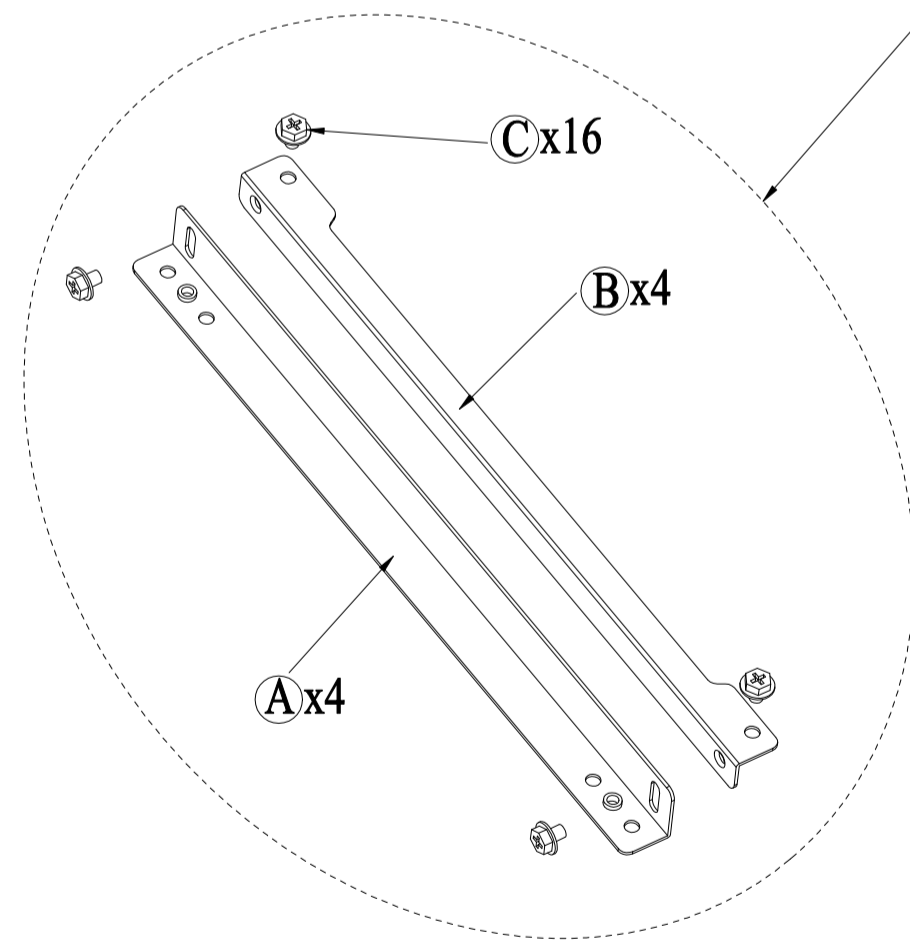
Ad Justment Range=3 To 10.6 MM



Customer Panel (Not Included)
Min Thickness =4 mm
Max Thickness =10 mm



120400537R Mounting bracket assembly is optional



Optional Accessories		
Part Number	Description	Qty
120400537R	Mounting bracket assembly	1

ALL DIMENSIONS ARE IN MILLIMETERS

GENERAL Touch		GeneralTouch Co., Ltd.			
Specification	External Dimensions	463.1*391.3*42.1	Anti-Glare	<input type="checkbox"/> Y <input checked="" type="checkbox"/> N	Designer: Han Jin
Unit	Date	Active Area	DustProof	<input type="checkbox"/> Y <input checked="" type="checkbox"/> N	
mm	2022/04/21	Glass Thickness			Checked By: Wang Zhenghua
Projection:		Silk Print Color			
Sheet 2 of 2		Mounting	VESA <input checked="" type="checkbox"/>	Bracket <input checked="" type="checkbox"/>	Approved By: Zhou Bolin
VER: 0.3	Scale: 1:1	Notes			
Tolerance: ±1.0mm		Touch Technology	P-CAP <input checked="" type="checkbox"/>	SAW <input type="checkbox"/>	
			IR/PIT <input type="checkbox"/>	Resistive <input type="checkbox"/>	
			Non-Touch <input type="checkbox"/>		